

TRAY

1/8 LUXURY NITRO ON-ROAD CAR

2018

INSTRUCTION MANUAL



MADE IN EUROPE

4X WINTERNATS CHAMPION

ASTM FEMCA WINNER

13x NATIONAL CHAMPION TITLES

ENS EURO NITRO SERIES WINNER

BEFORE YOU START

The RX8 is a high-competition, high-quality, 1/8-scale on-road nitro car intended for persons aged 16 years and older with previous experience building and operating RC model racing cars. This is not a toy; it is a precision racing model. This model racing car is not intended for use by beginners, inexperienced customers, or by children without direct supervision of a responsible, knowledgeable adult. If you do not fulfill these requirements, please return the kit in unused and unassembled form back to the shop where you have purchased it.

Before building and operating your RX8, YOU MUST read through all of the operating instructions and instruction manual and fully understand them to get the maximum enjoyment and prevent unnecessary damage.

CUSTOMER SUPPORT

We have made every effort to make these instructions as easy to understand as possible. However, if you have any difficulties, problems, or questions, please do not hesitate to contact the XRAY support team at info@teamxray.com. Also, please visit our Web site at www.teamxray.com to find the latest updates, set-up information, option parts, and many other goodies. We pride ourselves on taking excellent care of our customers.

You can join thousands of XRAY fans and enthusiasts in our online community at: www.teamxray.com

Read carefully and fully understand the instructions before beginning assembly.

Make sure you review this entire Instruction Manual and examine all details carefully. If for some reason you decide the RX8 is not what you wanted or expected, do not continue any further. Your hobby dealer cannot accept your RX8 kit for return or exchange after it has been partially or fully assembled.

Contents of the box may differ from pictures. In line with our policy of continuous product development, the exact specifications of the kit may vary without prior notice.

XRAY Europe

K Výstavisku 6992
91101 Trenčín
Slovakia, EUROPE
Phone: +421-32-7401100
Fax: +421-32-7401109
Email: info@teamxray.com

XRAY RC America

2030 Century Center Blvd #15, Suite 109
75062 Irving
Texas, USA
Phone: (214) 744-2400
Fax: (214) 744-2401
Email: xray@rcamerica.com

FAILURE TO FOLLOW THESE INSTRUCTIONS WILL BE CONSIDERED AS ABUSE AND/OR NEGLECT.

SAFETY PRECAUTIONS

WARNING: This product contains a chemical known to the state of California to cause cancer and birth defects or other reproductive harm.

CAUTION: CANCER HAZARD

Wash thoroughly after using. DO NOT use product while eating, drinking or using tobacco products. May cause chronic effects to gastrointestinal tract, CNS, kidneys, and blood. MAY CAUSE BIRTH DEFECTS.

When building, using and/or operating this model always wear protective glasses and gloves.

Take appropriate safety precautions prior to operating this model. You are responsible for this model's assembly and safe operation! Please read the instruction manual before building and operating this model and follow all safety precautions. Always keep the instruction manual at hand for quick reference, even after completing the assembly. Use only genuine and original authentic XRAY parts for maximum performance.

Using any third party parts on this model will void warranty immediately.

Improper operation may cause personal and/or property damage. XRAY and its distributors have no control over damage resulting from shipping, improper construction, or improper usage. XRAY assumes and accepts no responsibility for personal and/or property damages resulting from the use of improper building materials, equipment and operations. By purchasing any item produced by XRAY, the buyer expressly warrants that he/she is in compliance with all applicable federal, state and local laws and regulation regarding the purchase, ownership and use of the item. The buyer expressly agrees to indemnify and hold harmless XRAY for all claims resulting directly or indirectly from the purchase, ownership or use of the product. By the act of assembling or operating this product, the user accepts all resulting liability. If the buyer is not prepared to accept this liability, then he/she should return this kit in new, unassembled, and unused condition to the place of purchase.



IMPORTANT NOTES – GENERAL

- This product is not suitable for children under 16 years of age without the direct supervision of a responsible and knowledgeable adult.
- Carefully read all manufacturers warnings and cautions for any parts used in the construction and use of your model.
- Assemble this kit only in places away from the reach of very small children.
- First-time builders and users should seek advice from people who have building experience in order to assemble the model correctly and to allow the model to reach its performance potential.
- Exercise care when using tools and sharp instruments.
- Take care when building, as some parts may have sharp edges.
- Keep small parts out of reach of small children. Children must not be allowed to put any parts in their mouth, or pull vinyl bag over their head.
- Read and follow instructions supplied with paints and/or cement, if used (not included in kit).
- Immediately after using your model, do NOT touch equipment on the model such as the motor and speed controller, because they generate high temperatures. You may seriously burn yourself seriously touching them.
- Follow the operating instructions for the radio equipment at all times.
- Do not put fingers or any objects inside rotating and moving parts, as this may cause damage or serious injury as your finger, hair, clothes, etc. may get caught.
- Be sure that your operating frequency is clear before turning on or running your model, and never share the same frequency with somebody else at the same time. Ensure that others are aware of the operating frequency you are using and when you are using it.
- Use a transmitter designed for ground use with RC cars. Make sure that no one else is using the same frequency as yours in your operating area. Using the same frequency at the same time, whether it is driving, flying or sailing, can cause loss of control of the RC model, resulting in a serious accident.
- Always turn on your transmitter before you turn on the receiver in the car. Always turn off the receiver before turning your transmitter off.

- Keep the wheels of the model off the ground when checking the operation of the radio equipment.
- Disconnect the battery pack before storing your model.
- When learning to operate your model, go to an area that has no obstacles that can damage your model if your model suffers a collision.
- Remove any sand, mud, dirt, grass or water before putting your model away.
- If the model behaves strangely, immediately stop the model, check and clear the problem.
- To prevent any serious personal injury and/or damage to property, be responsible when operating all remote controlled models.
- The model car is not intended for use on public places and roads or areas where its operation can conflict with or disrupt pedestrian or vehicular traffic.
- Because the model car is controlled by radio, it is subject to radio interference from many sources that are beyond your control. Since radio interference can cause momentary loss of control, always allow a safety margin in all directions around the model in order to prevent collisions.
- Do not use your model:
 - Near real cars, animals, or people that are unaware that an RC car is being driven.
 - In places where children and people gather
 - In residential districts and parks
 - In limited indoor spaces
 - In wet conditions
 - In the street
 - In areas where loud noises can disturb others, such as hospitals and residential areas.
 - At night or anytime your line of sight to the model may be obstructed or impaired in any way.

To prevent any serious personal injury and/or damage to property, please be responsible when operating all remote controlled models.



IMPORTANT NOTES – NITRO ENGINES

- Always test the brakes and the throttle before starting your engine to avoid losing control of the model.
- Make sure the air filter is clean and oiled.
- Never run your engine without an air filter. Your engine can be seriously damaged if dirt and debris get inside the engine.
- For proper engine break-in, please refer to the manual that came with the engine.

- Do not run near open flames or smoke while running your model or while handling fuel.
- Some parts will be hot after operation. Do not touch the exhaust or the engine until they have cooled. These parts may reach 275°F during operation!

IMPORTANT NOTES – ELECTRICAL

- Insulate any exposed electrical wiring (using heat shrink tubing or electrical tape) to prevent dangerous short circuits. Take maximum care in wiring, connecting and insulating cables. Make sure cables are always connected securely. Check connectors for if they become loose. And if so, reconnect them securely. Never use R/C models with damaged wires. A damaged wire is extremely dangerous, and can cause short-circuits resulting in fire. Please have wires repaired at your local hobby shop.
- Low battery power will result in loss of control. Loss of control can occur due to a weak battery in either the transmitter or the receiver. Weak running battery may also result in an out of control car if your car's receiver power is supplied by the running battery. Stop operation immediately if the car starts to slow down.
- When not using RC model, always disconnect and remove battery.
- Do not disassemble battery or cut battery cables. If the running battery short-circuits, approximately 300W of electricity can be discharged, leading to fire or burns. Never disassemble battery or cut battery cables.
- Use a recommended charger for the receiver and transmitter batteries and follow the instructions

IMPORTANT NOTES – NITRO FUEL

- Handle fuel only outdoors. Never handle nitro fuel indoors, or mix nitro fuel in a place where ventilation is bad.
- Only use nitro fuel for R/C models. Do not use gasoline or kerosene in R/C models as it may cause a fire or explosion, and ruin your engine.
- Nitro fuel is highly flammable, explosive, and poisonous. Never use fuel indoors or in places with open fires and sources of heat.
- Always keep the fuel container cap tightly shut.
- Always read the warning label on the fuel container for safety information.
- Nitro-powered model engines emit poisonous vapors and gasses. These vapors irritate eyes and can be highly dangerous to your health. We recommend wearing rubber or vinyl gloves to avoid direct contact with nitro fuel.
- Nitro fuel for RC model cars is made of the combination of the methyl alcohol, castor or synthetic oil,

R/C & BUILDING TIPS

- Make sure all fasteners are properly tightened. Check them periodically.
- Make sure that chassis screws do not protrude from the chassis.
- For the best performance, it is very important that great care is taken to ensure the free movement of all parts.
- Clean all ball-bearings so they move very easily and freely.
- Tap or pre-thread the plastic parts when threading screws.
- Self-tapping screws cut threads into the parts when being tightened. Do not use excessive force when tightening the self-tapping screws because you may strip out the thread in the plastic. We recommended

WARRANTY

XRAY guarantees this model kit to be free from defects in both material and workmanship within 30 days of purchase. The total monetary value under warranty will in no case exceed the cost of the original kit purchased. This warranty does not cover any components damaged by use or modification or as a result of wear. Part or parts missing from this kit must be reported within 30 days of purchase. No part or parts will be sent under warranty without proof of purchase. Should you find a defective or missing part, contact the local distributor. Service and customer support will be provided through local hobby store where you have purchased the kit, therefore make sure to purchase any XRAY products at your local hobby store. This model racing car is considered to be a high-performance racing vehicle. As such this vehicle will be used in an extreme range of conditions and situations, all which may cause premature wear or failure of any component. XRAY has no control over usage of vehicles once they leave the dealer, therefore XRAY can only offer warranty against all manufacturer's defects in materials, workmanship, and assembly at point of sale and before use. No warranties are expressed or implied that cover damage caused by what is considered normal use, or cover or imply how long any model cars' components or electronic components will last before requiring replacement.

Due to the high performance level of this model car you will need to periodically maintain and replace consumable components. Any and all warranty coverage will not cover replacement of any part or component damaged by neglect, abuse, or improper or unreasonable use. This includes but is not limited to damage from crashing, chemical and/or water damage, excessive moisture, improper or no maintenance, or user

QUALITY CERTIFICATE

XRAY MODEL RACING CARS uses only the highest quality materials, the best compounds for molded parts and the most sophisticated manufacturing processes of TQM (Total Quality Management). We guarantee that all parts of a newly-purchased kit are manufactured with the highest regard to quality. However, due to the many factors inherent in model racecar competition, we cannot guarantee any parts once you start racing the car. Products which have been worn out, abused, neglected or improperly operated will not be covered under warranty. We wish you enjoyment of this high-quality and high-performance RC car and wish you best success on the track!

In line with our policy of continuous product development, the exact specifications of the kit may vary. In the unlikely event of any problems with your new kit, you should contact the model shop where you purchased it, quoting the part number. We do reserve all rights to change any specification without prior notice. All rights reserved.

correctly. Over-charging, incorrect charging, or using inferior chargers can cause the batteries to become dangerously hot. Recharge battery when necessary. Continual recharging may damage battery and, in the worst case, could build up heat leading to fire. If battery becomes extremely hot during recharging, please ask your local hobby shop for check and/or repair and/or replacement.

- Regularly check the charger for potential hazards such as damage to the cable, plug, casing or other defects. Ensure that any damage is rectified before using the charger again. Modifying the charger may cause short-circuit or overcharging leading to a serious accident. Therefore do not modify the charger.
- Always unplug charger when recharging is finished.
- Do not recharge battery while battery is still warm. After use, battery retains heat. Wait until it cools down before charging.
- Do not allow any metal part to short circuit the receiver batteries or other electrical/electronic device on the model.
- Immediately stop running if your RC model gets wet as may cause short circuit.
- Please dispose of batteries responsibly. Never put batteries into fire.

nitro methane etc. The flammability and volatility of these elements is very high, so be very careful during handling and storage of nitro fuel.

- Keep nitro fuel away from open flame, sources of heat, direct sunlight, high temperatures, or near batteries.
- Store fuel in a cool, dry, dark, well-ventilated place, away from heating devices, open flames, direct sunlight, or batteries. Keep nitro fuel away from children.
- Do not leave the fuel in the carburetor or fuel tank when the model is not in use. There is danger that the fuel may leak out.
- Wipe up any spilled fuel with a cloth
- Be aware of spilled or leaking fuel. Fuel leaks can cause fires or explosions.
- Do not dispose of fuel or empty fuel containers in a fire. There is danger of explosion.

you stop tightening a screw when you feel some resistance.

- Ask your local hobby shop for any advice.

Please support your local hobby shop. We at XRAY Model Racing Cars support all local hobby dealers. Therefore we ask you, if at all possible, to purchase XRAY products at your hobby dealer and give them your support like we do. If you have difficulty finding XRAY products, please check out www.teamxray.com to get advice, or contact us via email at info@teamxray.com, or contact the XRAY distributor in your country.

modifications which compromise the integrity of components. Warranty will not cover components that are considered consumable on RC vehicles. XRAY does not pay nor refund shipping on any component sent to XRAY or its distributors for warranty. XRAY reserves the right to make the final determination of the warranty status of any component or part.

Limitations of Liability

XRAY makes no other warranties expressed or implied. XRAY shall not be liable for any loss, injury or damages, whether direct, indirect, special, incidental, or consequential, arising from the use, misuse, or abuse of this product and/or any product or accessory required to operate this product. In no case shall XRAY's liability exceed the monetary value of this product.

Take adequate safety precautions prior to operating this model. You are responsible for this model's assembly and safe operation.

Disregard of the any of the above cautions may lead to accidents, personal injury, or property damage. XRAY MODEL RACING CARS assumes no responsibility for any injury, damage, or misuse of this product during assembly or operation, nor any addictions that may arise from the use of this product.

All rights reserved.

Please note that raw materials such as aluminum, steel, brass, fibreglass, or carbon fibre may have small scratches on the surface which is a standard characteristic of any raw material. Scratches on the surface of any materials are NOT considered to be material defects.

Products may potentially have small amounts of corrosion on them. This may be caused by variances in weather during different times of the year, humidity in the shop or during shipping, and other contributing factors. Even though we have taken all precautions and protection methods to prevent corrosion, these small amounts of corrosion (if present) are unavoidable and considered to be acceptable.

SYMBOLS USED

Apply threadlock	Assemble left and right sides the same way	Number of teeth	Part bags used
Apply oil (may indicate specific type)	Ensure smooth non-binding movement	Detail	Assemble in the specified order
Apply cyanoacrylate (CA) glue	Cut off remaining material	Pay attention here	Assembly view
Apply grease	Assemble as many times as specified (here twice)	Follow tip here	Optional parts

TOOLS REQUIRED

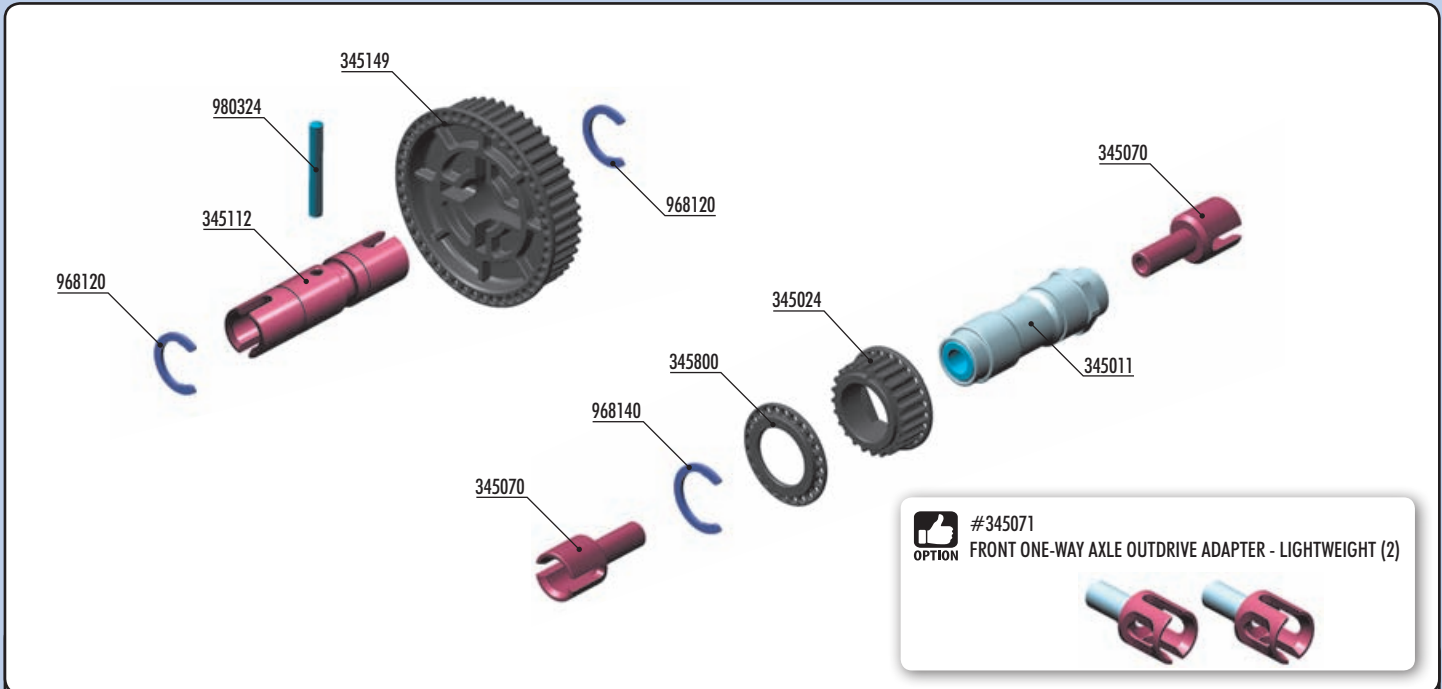
Phillips 3.5mm	Slotted Screwdriver 4.0mm	Arm Reamer 3mm/4mm
Allen 1.5 / 2.0 / 2.5 / 3.0mm	Allen Ball 2.5mm	Exhaust Spring / Caster Clip Remover

Turnbuckle Tools (HUDY #181091 3.0/4.0mm)	Turnbuckle Tools (HUDY #181030 - 3.0mm)	Professional Multi Tool (HUDY #183011)	Ball Joint Wrench (HUDY #181110)	Flywheel Tool (HUDY #182010)	Alu Pinion Gear Tool (XRAY #349903)
Pliers (HUDY #189020)	Scissors (HUDY #188990)	Side Cutters (HUDY #189010)	Pocket Hobby Knife (HUDY #188981)	Wrench Glowplug/Clutchnut (HUDY #107581)	Reamer (HUDY #107602) (HUDY #107601)

EQUIPMENT REQUIRED

Transmitter	Receiver	Steering & Throttle Servos	Engine	Starter Box (HUDY #104400) & Battery Pack	Glowplug Igniter
Exhaust	Manifold	Lexan® Paint	Bodyshell	Battery Charger	Receiver Battery Pack
Wheels & Tires	Tire Truer (HUDY #102003)	Model R/C Car Fuel (nitromethane)	Personal Transponder	Air Filter	Air Filter Oil (HUDY #106240)
CA Glue	Engine After Run Oil (HUDY #106250)	One-Way Lube (HUDY #106231)	Threadlock	Graphite Grease (HUDY #106210)	Bearing Oil (HUDY #106230)

1. FRONT ONE-WAY & REAR SOLID AXLE



BAG

01

- 345001 FRONT ONE-WAY - HARDCOATED + LIGHTWEIGHT ADAPTERS
- 345011 FRONT ONE-WAY AXLE - BLACK COATED
- 345024 COMPOSITE FRONT ONE-WAY AXLE PULLEY 24T
- 345070 FRONT ONE-WAY AXLE OUTDRIVE ADAPTER - HUDY SPRING STEEL™ (2)
- 345112 REAR SOLID AXLE SHAFT - HUDY SPRING STEEL™
- 345149 COMPOSITE REAR SOLID AXLE PULLEY 48T
- 345800 COMPOSITE BELT PULLEY COVER SET

- 968120 C-CLIP 12 (10)
- 968140 C-CLIP 14 (10)
- 980324 PIN 3x24 (10)

#345071
OPTION FRONT ONE-WAY AXLE OUTDRIVE ADAPTER - LIGHTWEIGHT (2)



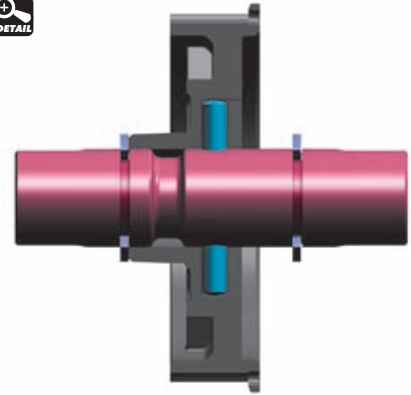
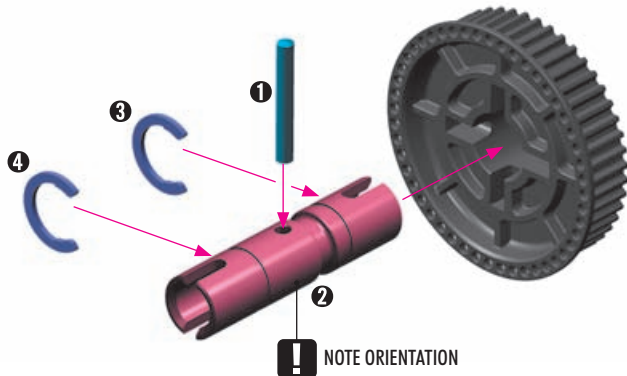
REAR SOLID AXLE



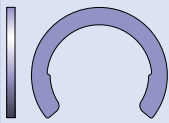
968120
C12



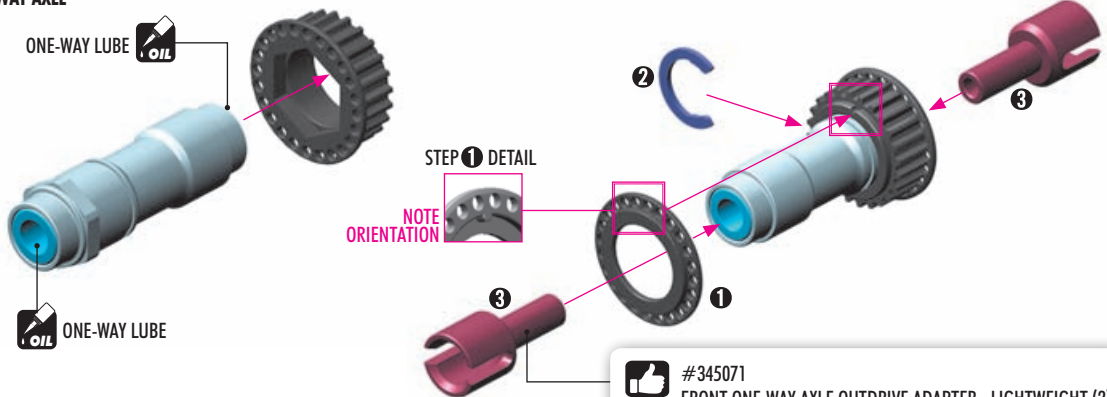
980324
P 3x24



FRONT ONE-WAY AXLE



968140
C14

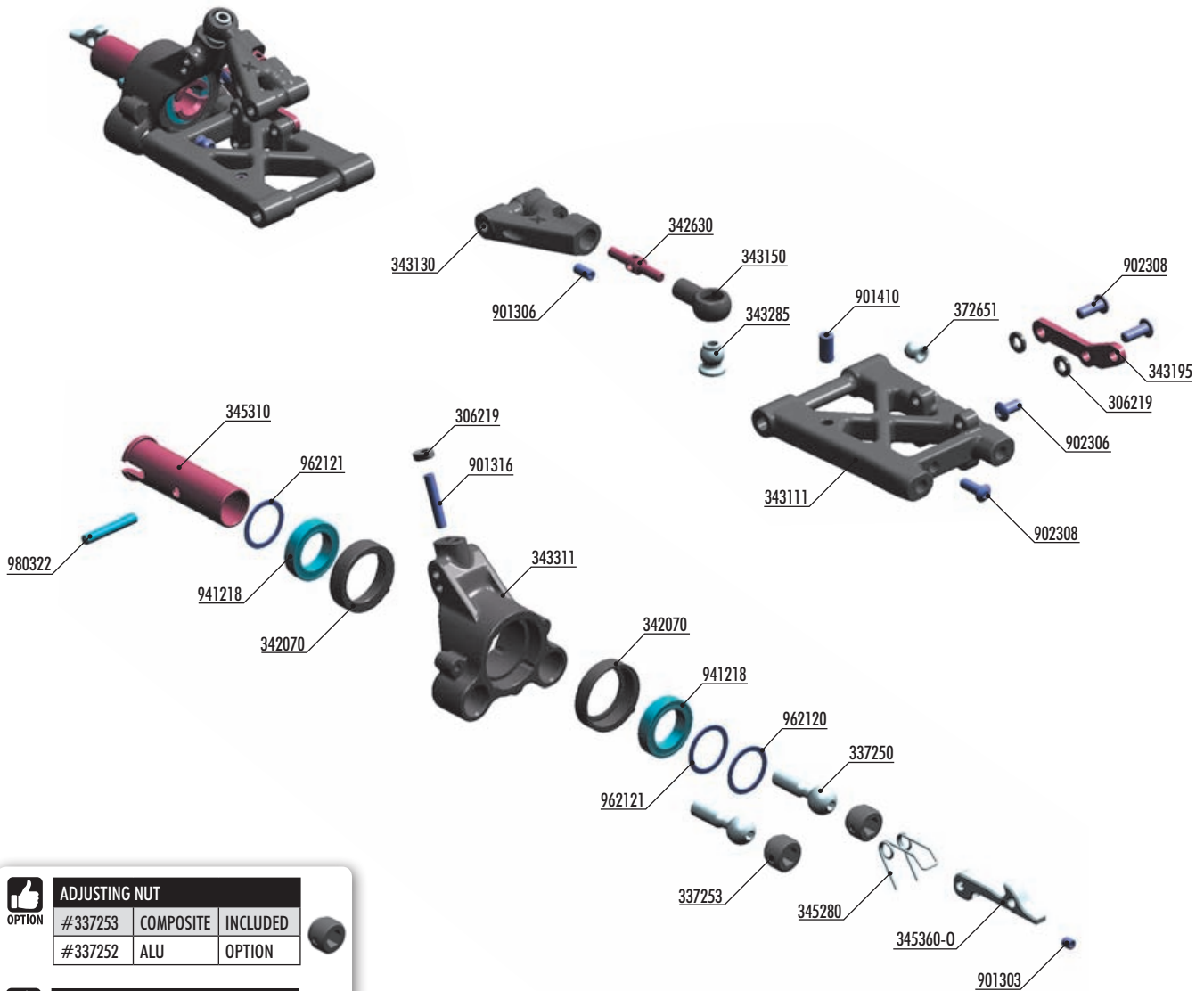


#345071
OPTION FRONT ONE-WAY AXLE OUTDRIVE ADAPTER - LIGHTWEIGHT (2)



2. REAR SUSPENSION

2x L=R



OPTION	ADJUSTING NUT		
#337253	COMPOSITE	INCLUDED	
#337252	ALU	OPTION	

OPTION	PIVOT BALLS		
#337250	STEEL	INCLUDED	
#337251	ALU	OPTION	
#337255	TITANIUM	OPTION	

OPTION #345301 REAR CVD DRIVE SHAFT SET HUDY SPRING STEEL™

OPTION #345290 ALU SHIM 12x15x1.0MM (4)

OPTION #345312 ALU REAR CVD DRIVE AXLE SWISS 7075 T6 - HARDCOATED

OPTION #345370 GRAPHITE REAR AERO DISC 1.6mm - SET

OPTION	SUSPENSION UPPER ARMS		
#343130	MEDIUM	INCLUDED	
#343131	HARD	OPTION	
#343132	GRAPHITE	OPTION	

OPTION	SUSPENSION LOWER ARMS		
#343111	MEDIUM	INCLUDED	
#343112	HARD	OPTION	
#343113	GRAPHITE	OPTION	

BAG
02.1

306219	COMPOSITE SET OF SERVO SHIMS (4)	343285	PIVOT BALL 6.8MM (2)	901303	HEX SCREW SB M3x3 (10)
337250	STEEL PIVOT BALL 8.4 MM (2)	343311	COMPOSITE UPRIGHT REAR FOR AERO DISC	901306	HEX SCREW SB M3x6 (10)
337253	COMPOSITE ADJUSTING NUT M10x1 (4)	345280	WHEEL SPRING (2)	901316	HEX SCREW SB M3x16 (10)
342070	COMPOSITE SET OF BUSHINGS (2)	345310	REAR WHEEL AXLE - HUDY SPRING STEEL™	901410	HEX SCREW SB M4x10 (10)
342630	ADJ. TURNBUCKLE L/R 20 MM - HUDY SPRING STEEL™ (2)	345360-O	ALU REAR WHEEL LOCK - SWISS 7075 T6 - ORANGE (2)	902306	HEX SCREW SH M3x6 (10)
343111	SUSPENSION ARM FOR EXTENSION - REAR LOWER	345370	GRAPHITE REAR AERODYNAMIC DISC 1.6MM - SET (OPTION)	902308	HEX SCREW SH M3x8 (10)
343130	COMPOSITE SUSPENSION ARM REAR UPPER	372651	PIVOT BALL UNIVERSAL 4.9 MM - HUDY SPRING STEEL™ (2)	962120	WASHER S 12x15x0.5 (10)
343150	UPPER BALL JOINT 5.8MM - SHORT & LONG (2+2)	941218	HIGH-SPEED BALL-BEARING 12x18x4 RUBBER SEALED (2)	962121	WASHER S 12x15x1.0 (10)
343195	STEEL EXTENSION FOR SUSPENSION ARM - REAR LOWER (2)			980322	PIN 3x22 (10)

2. REAR SUSPENSION



901306
SB M3x6



901410
SB M4x10

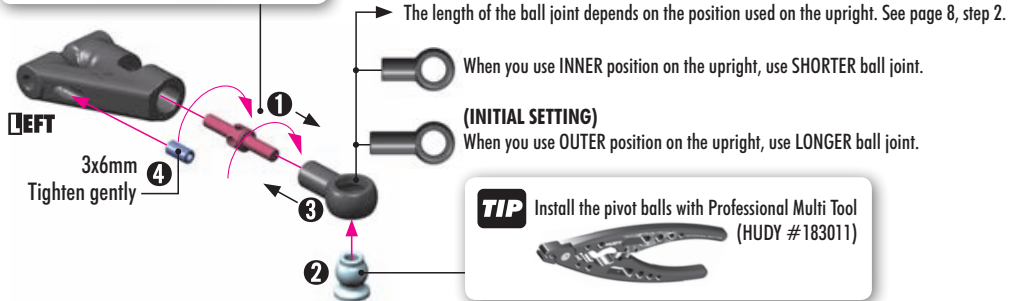
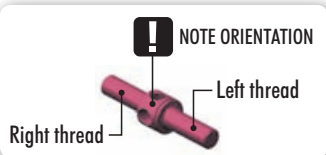
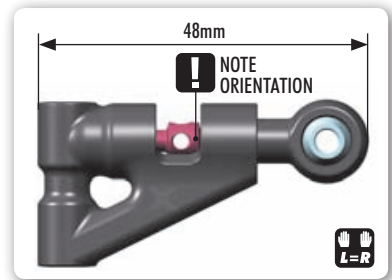
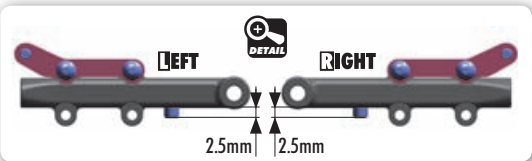
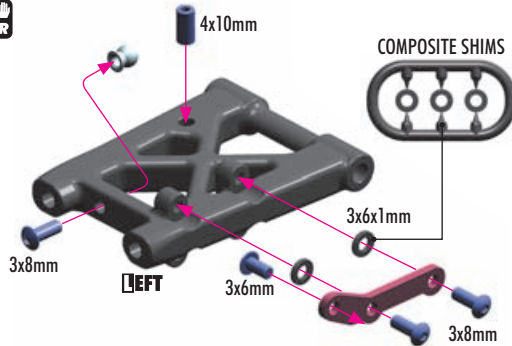


902306
SH M3x6



902308
SH M3x8

2x L=R

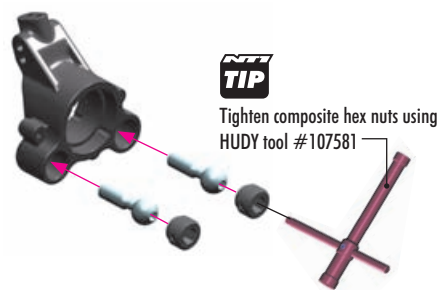


TIP Install the pivot balls with Professional Multi Tool (HUDY #183011)

OPTION	SUSPENSION UPPER ARMS		
	#343130	MEDIUM	INCLUDED
	#343131	HARD	OPTION
	#343132	GRAPHITE	OPTION

OPTION	SUSPENSION LOWER ARMS		
	#343111	MEDIUM	INCLUDED
	#343112	HARD	OPTION
	#343113	GRAPHITE	OPTION

2x L=R

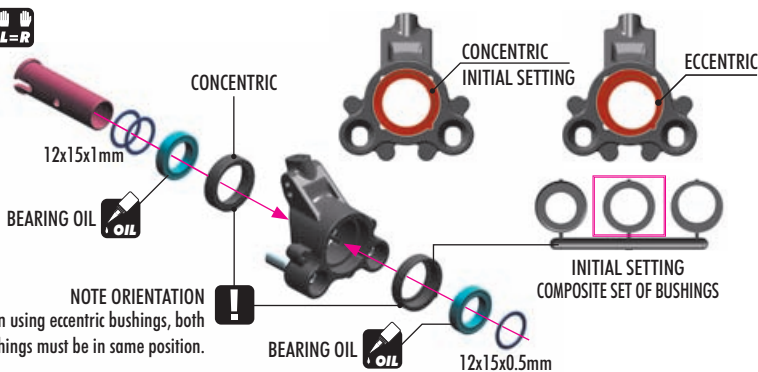


PIVOT BALLS MUST MOVE FREELY
During initial assembly, tighten each composite hex nut until the pivot ball starts to bind, then loosen slightly. Verify that the pivot balls move freely.

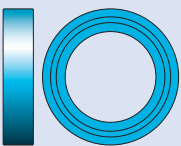
OPTION	ADJUSTING NUT		
	#337253	COMPOSITE	INCLUDED
	#337252	ALU	OPTION

OPTION	PIVOT BALLS		
	#337250	STEEL	INCLUDED
	#337251	ALU	OPTION
	#337255	TITANIUM	OPTION

2x L=R



SHIM		SHIM	
IN	OUT	IN	OUT
1+1	0.5	1+1	0.5
1+0.5	1	1+0.5	1
1	1+0.5	1	1+0.5
0.5	1+1	0.5	1+1
0	1+1+0.5	0	1+1+0.5



941218
BB 12x18x4



962120
S 12x15x0.5

962121
S 12x15x1.0

#345290
ALU SHIM 12x15x1.0MM (4)

#345301
REAR CVD DRIVE SHAFT SET
HUDY SPRING STEEL™

#345312
ALU REAR CVD DRIVE AXLE
SWISS 7075 T6 - HARDCOATED

2. REAR SUSPENSION

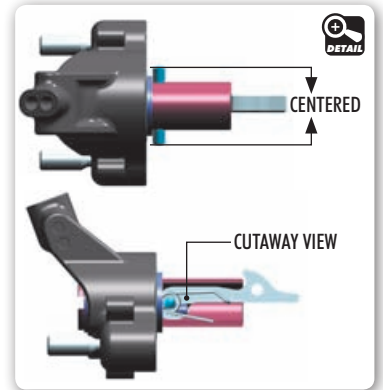
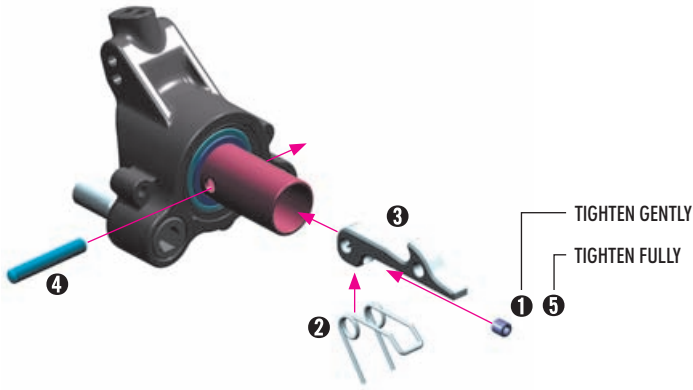


901303
SB M3x3



980322
P 3x22

2x
L=R



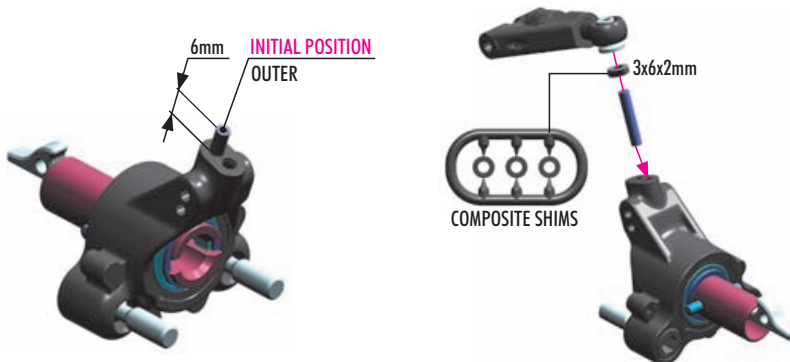
10

306219
SHIM 3x6x2

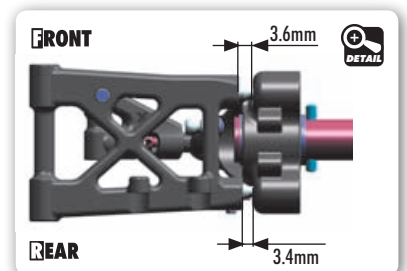
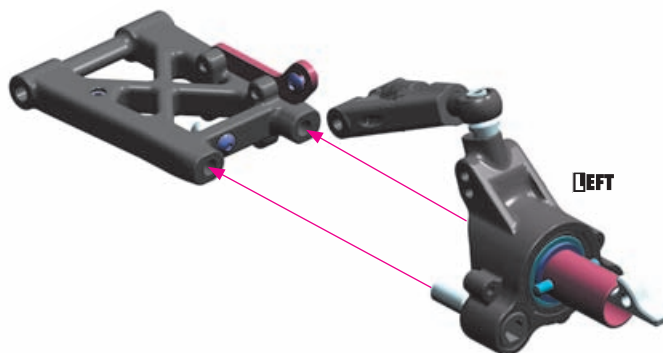


901316
SB M3x16

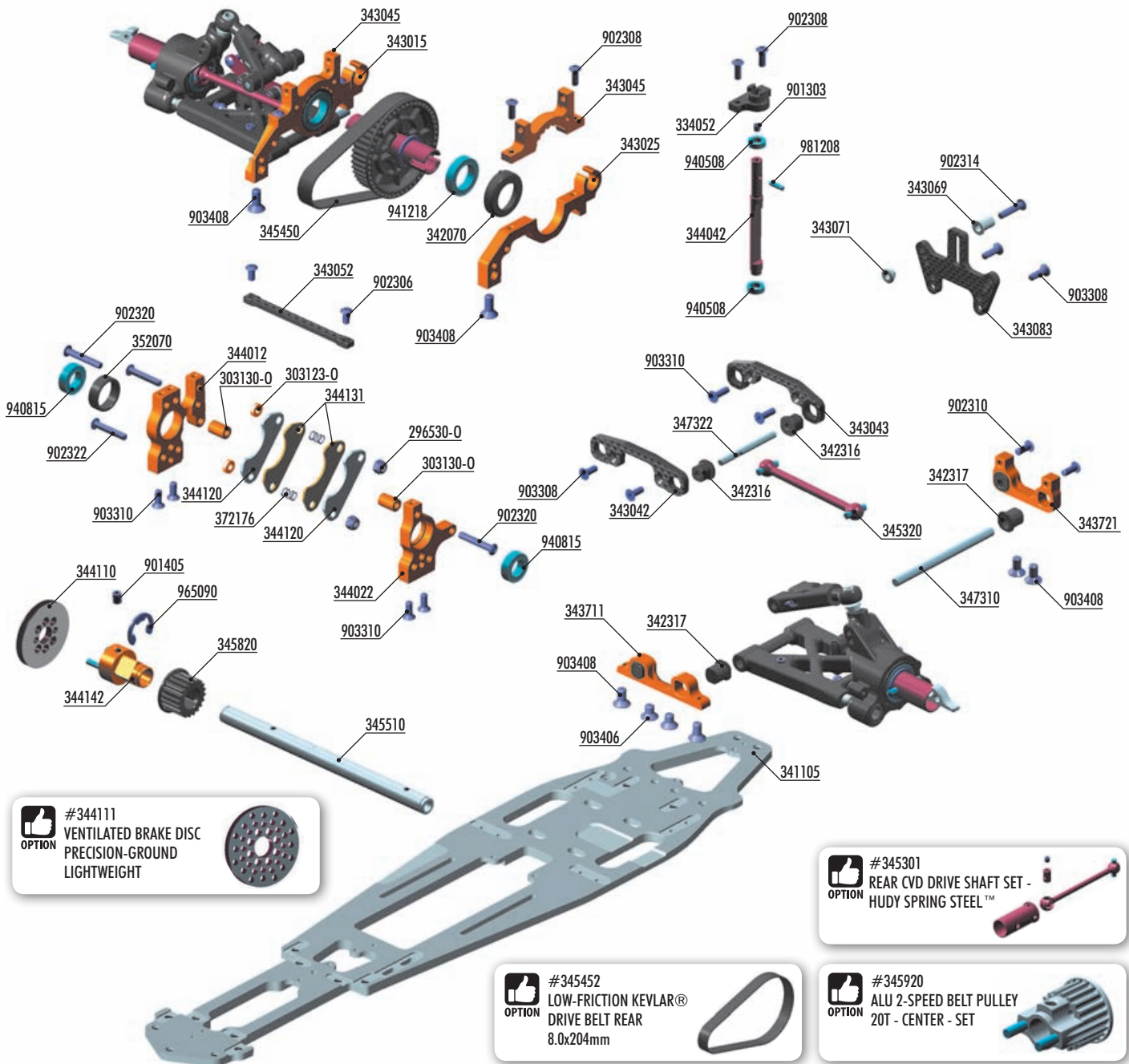
2x
L=R



2x
L=R



2. REAR SUSPENSION



#344111
OPTION VENTILATED BRAKE DISC
 PRECISION-GROUND
 LIGHTWEIGHT

#345301
OPTION REAR CVD DRIVE SHAFT SET -
 HUDY SPRING STEEL™

#345452
OPTION LOW-FRICTION KEVLAR®
 DRIVE BELT REAR
 8.0x204mm

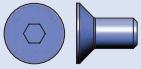
#345920
OPTION ALU 2-SPEED BELT PULLEY
 20T - CENTER - SET

BAG

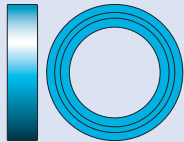
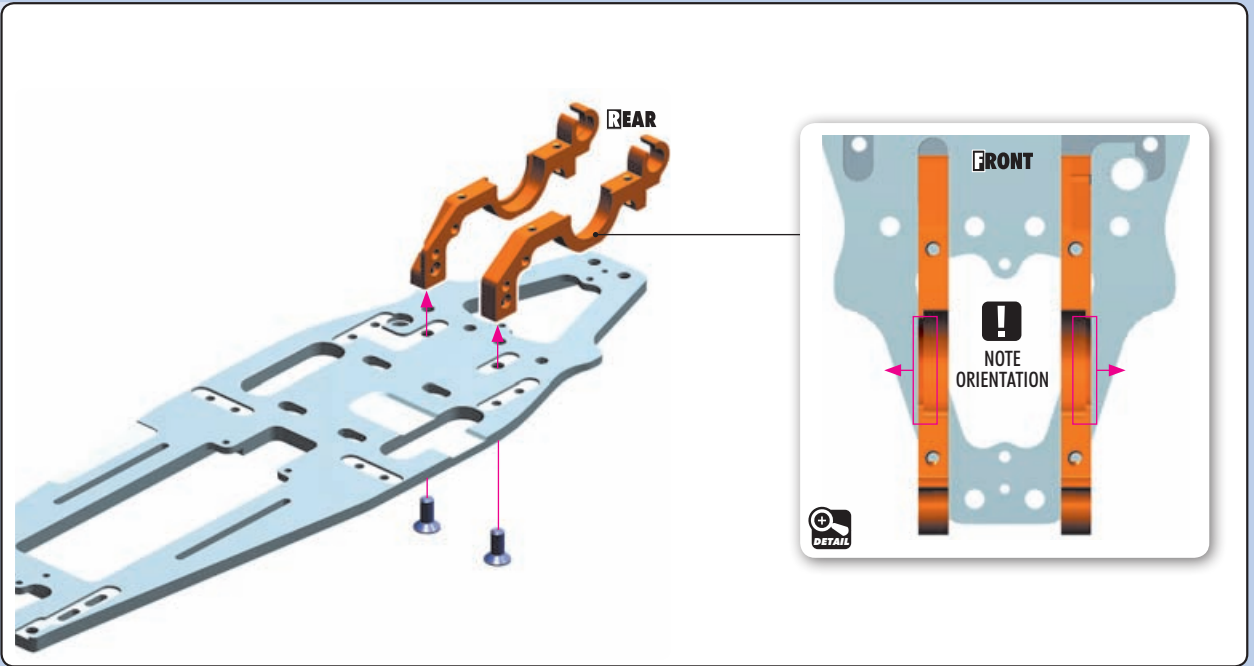
02.2

296530-0	ALU NUT M3 - ORANGE (10)	345320	REAR DRIVE SHAFT 61MM - HUDY SPRING STEEL™
303123-0	ALU SHIM 3x6x2.0MM - ORANGE (10)	345450	PUR® REINFORCED DRIVE BELT REAR 8.0 x 204 MM
303130-0	ALU SHIM 3x6x9.0MM - ORANGE (10)	345510	2-SPEED SHAFT 8MM - SUPER LIGHTWEIGHT - HUDY SPRING STEEL™
334052	COMPOSITE BRAKE UPPER PLATE	345820	COMPOSITE 2-SPEED BELT PULLEY 20T - CENTER
341105	CHASSIS 5MM - CNC MACHINED - SWISS 7075 T6	347310	REAR LOWER INNER PIVOT PIN (2)
342070	COMPOSITE SET OF BUSHINGS (2)	347322	REAR UPPER INNER PIVOT PIN WITH FLAT SPOT (2)
342316	COMPOSITE REAR UPPER SUSP. ECCENTRIC BUSHING (4)	352070	COMPOSITE BEARING HUB FOR DIFF (4)
342317	COMPOSITE REAR LOWER SUSP. ECCENTRIC BUSHING (4)	372176	SPRING 4.25 COILS 3.6x6x0.4MM; C=1.5 - GOLD (SOFT) (8)
343015	ALU LOWER BULKHEAD REAR - SWISS 7075 T6 - RIGHT	901303	HEX SCREW SB M3x3 (10)
343025	ALU LOWER BULKHEAD REAR - SWISS 7075 T6 - LEFT	901405	HEX SCREW SB M4x5 (10)
343042	GRAPHITE REAR UPPER ARM HOLDER 3.5MM - FRONT	902306	HEX SCREW SH M3x6 (10)
343043	GRAPHITE REAR UPPER ARM HOLDER 3.5MM - REAR	902308	HEX SCREW SH M3x8 (10)
343045	ALU UPPER CLAMP REAR - SWISS 7075 T6 - (L+R)	902310	HEX SCREW SH M3x10 (10)
343052	GRAPHITE REAR BULKHEAD BRACE 2.5MM	902314	HEX SCREW SH M3x14 (10)
343069	STEEL BUSHING (2)	902320	HEX SCREW SH M3x20 (10)
343071	BELT TENSIONER SET - STEEL	902322	HEX SCREW SH M3x22 (10)
343083	GRAPHITE SHOCK TOWER REAR	903308	HEX SCREW SFH M3x8 (10)
343711	ALU REAR LOWER SUSPENSION HOLDER - FRONT - RF	903310	HEX SCREW SFH M3x10 (10)
343721	ALU REAR LOWER SUSPENSION HOLDER - REAR - RR	903406	HEX SCREW SFH M4x6 (10)
344012	ALU BRAKE STAND - SWISS 7075 T6 - SET	903408	HEX SCREW SFH M4x8 (10)
344022	ALU 2-SPEED HOLDER - SWISS 7075 T6	940508	HIGH-SPEED BALL-BEARING 5x8x2.5 RUBBER SEALED (2)
344042	BRAKE CAM POST - STEEL	940815	HIGH-SPEED BALL-BEARING 8x14x4 RUBBER SEALED (2)
344110	VENTILATED BRAKE DISC - PRECISION-GROUND	941218	HIGH-SPEED BALL-BEARING 12x18x4 RUBBER SEALED (2)
344120	STEEL BRAKE PAD - HARDENED (2)	965090	E-CLIP 9 (10)
344131	BRAKE PAD "SLS" (2)	981208	PIN 2x8 (10)
344142	BRAKE DISK ADAPTER - SWISS 7075 T6 - BLACK HARDCOATED		

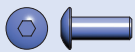
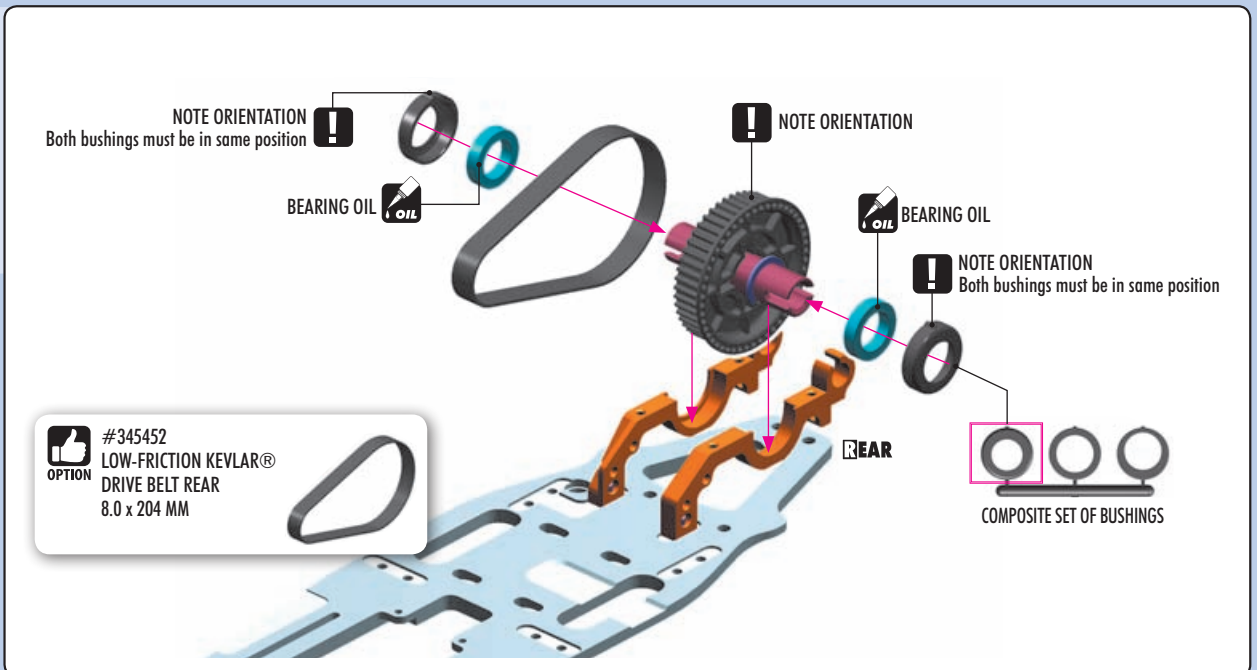
2. REAR SUSPENSION



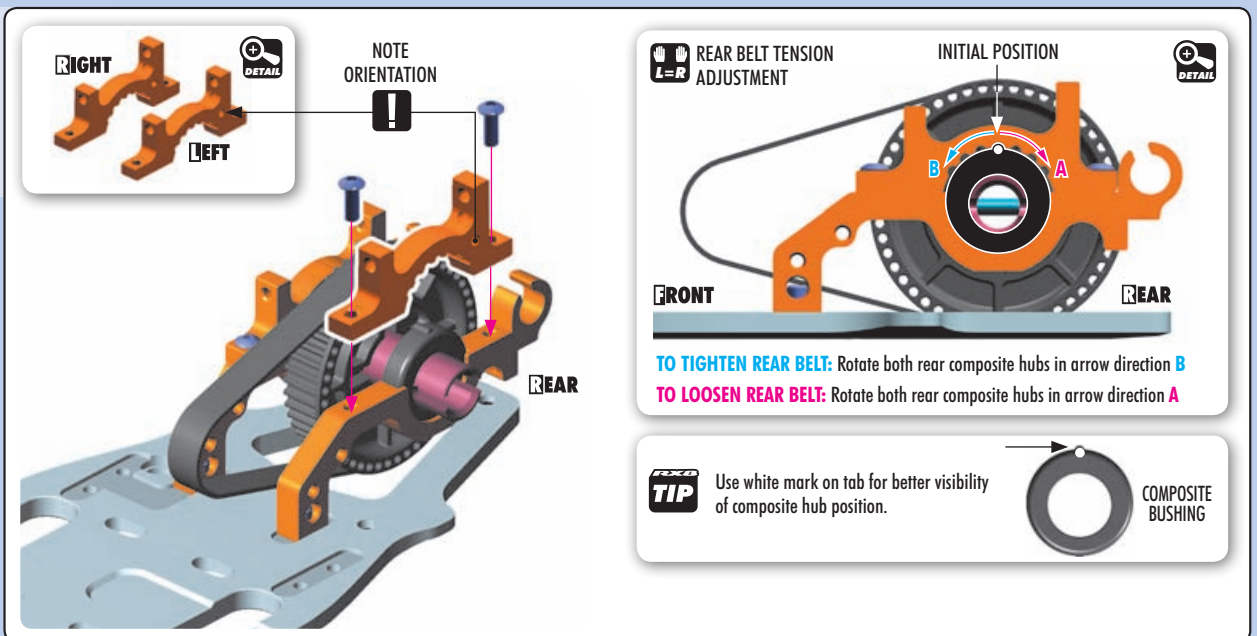
903408
SFH M4x8



941218
BB 12x18x4



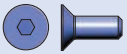
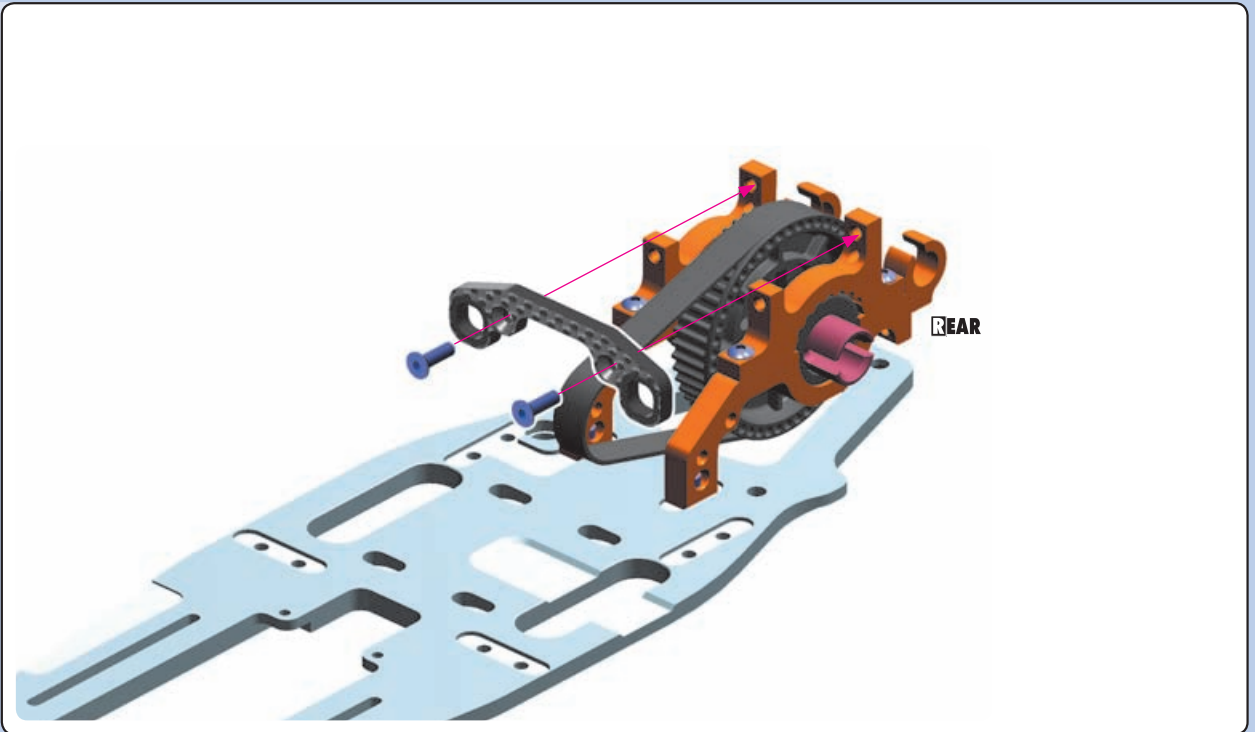
902308
SH M3x8



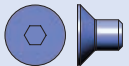
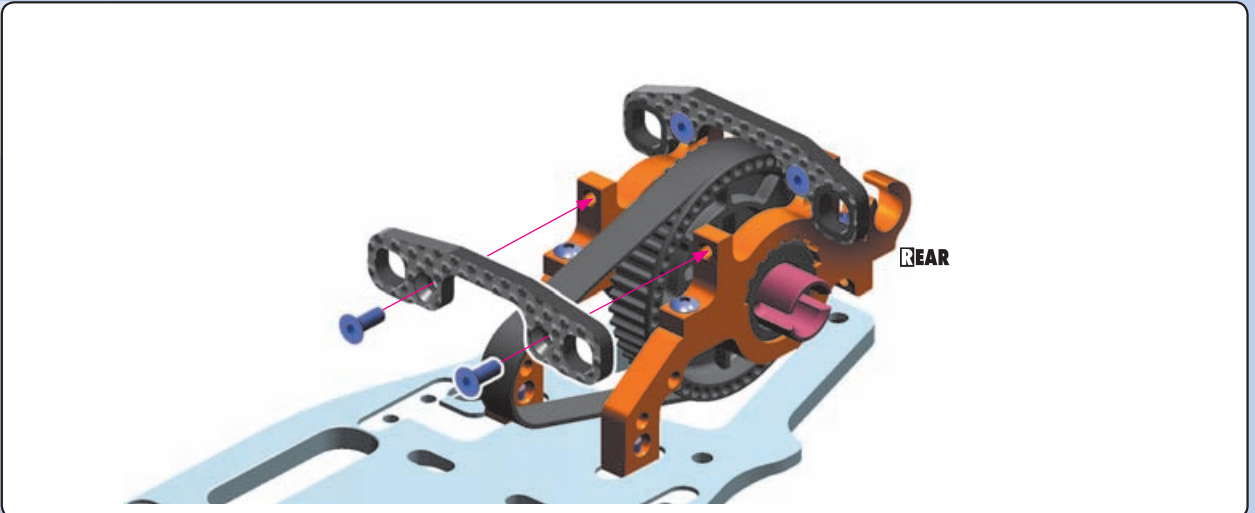
2. REAR SUSPENSION



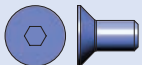
903310
SFH M3x10



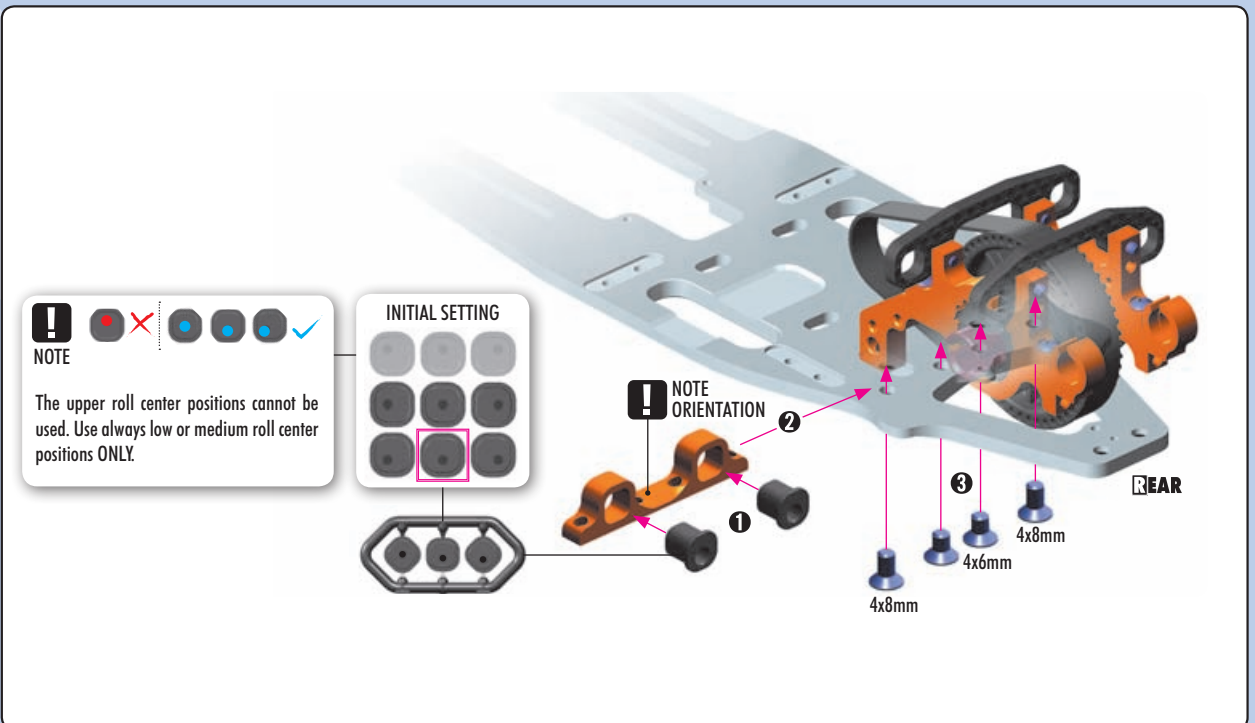
903308
SFH M3x8



903406
SFH M4x6



903408
SFH M4x8



2. REAR SUSPENSION



L=R

RIGHT

REAR

LEFT

ARM REAMER

OPTION #345301 REAR CVD DRIVE SHAFT SET - HUDY SPRING STEEL™

It is extremely important that the arms move freely on the pivot pins. If they do not, use the #107634 HUDY Arm Reamer to slightly resize the holes in the arms.

NOTE

The upper roll center positions cannot be used. Use always low or medium roll center positions **ONLY**.

INITIAL SETTING

2x **L=R**

RIGHT

REAR

LEFT

ARM REAMER

It is extremely important that the arms move freely on the pivot pins. If they do not, use the #107633 HUDY Arm Reamer to slightly resize the holes in the arms.

INITIAL SETTING

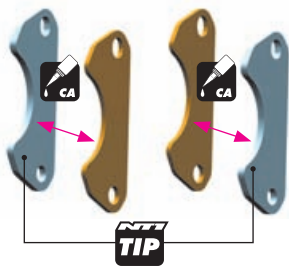
NOTE ORIENTATION

TIGHTEN FULLY set-screw M3x6 onto flatspot

2. REAR SUSPENSION

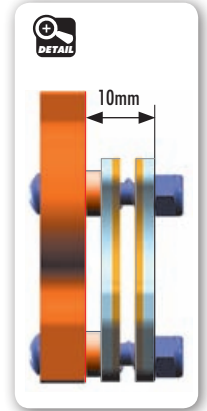
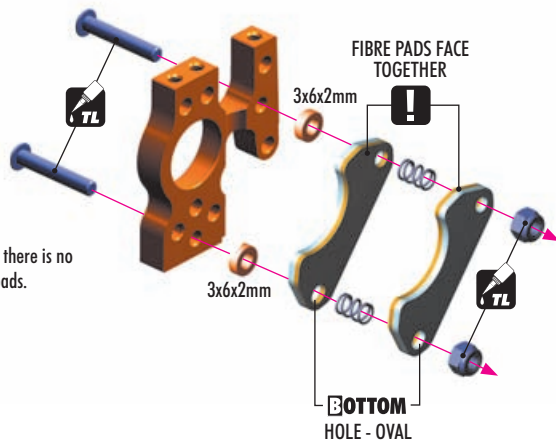
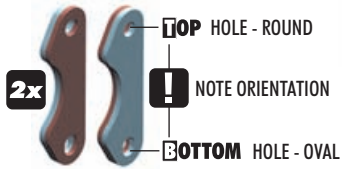


902322
SH M3x22



Roughen steel plates with sandpaper before gluing fibre pads

We recommend gluing the brake pads to the steel pads, however there is no performance difference between glued & unglued brake pads.



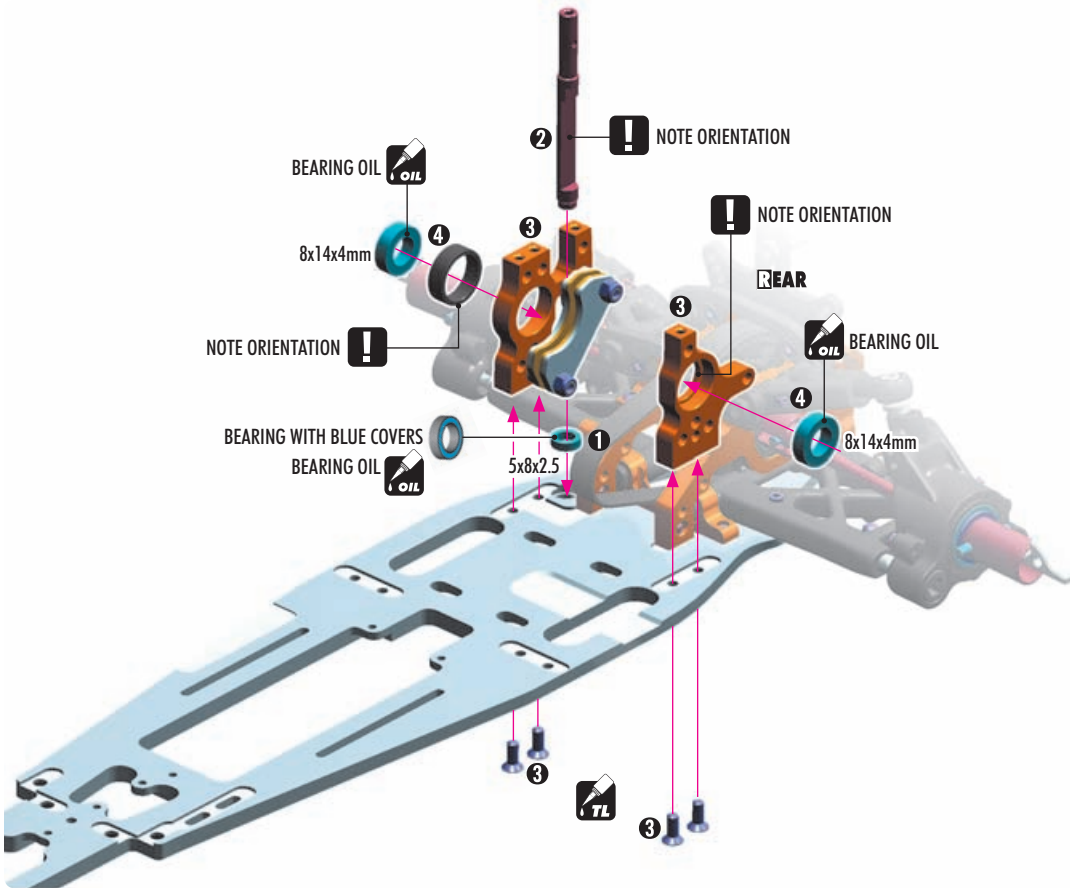
903310
SFH M3x10



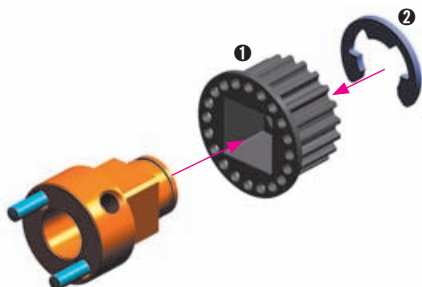
940508
BB 5x8x2.5



940815
BB 8x14x4



965070
C7



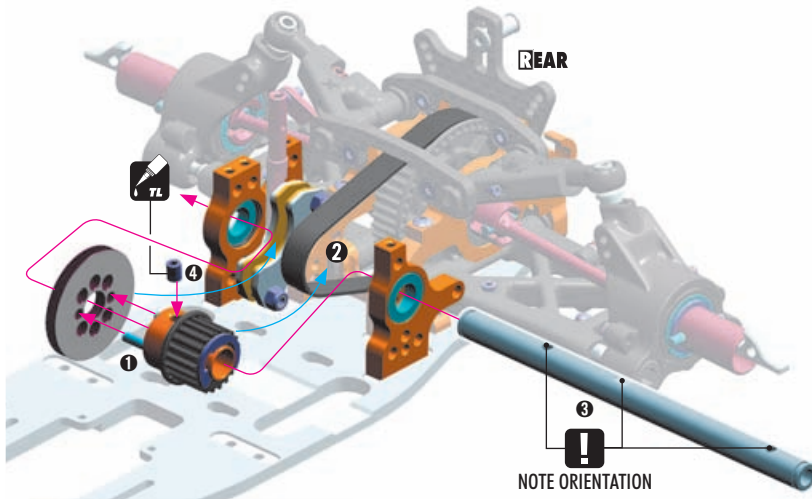
#345920
ALU 2-SPEED BELT PULLEY 20T
CENTER - SET



2. REAR SUSPENSION

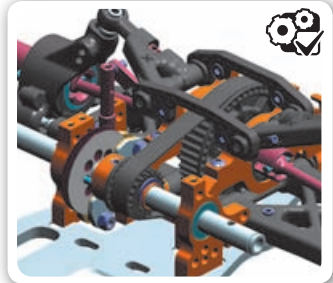
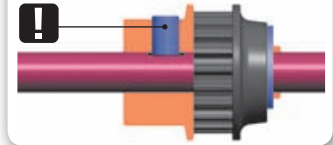


901405
SB M4x5



STEP 4 DETAIL

Tighten set-screw onto flat spot.



#344111
VENTILATED BRAKE DISC
- PRECISION - GROUND -
LIGHTWEIGHT



901303
SB M3x3



902306
SH M3x6



902308
SH M3x8

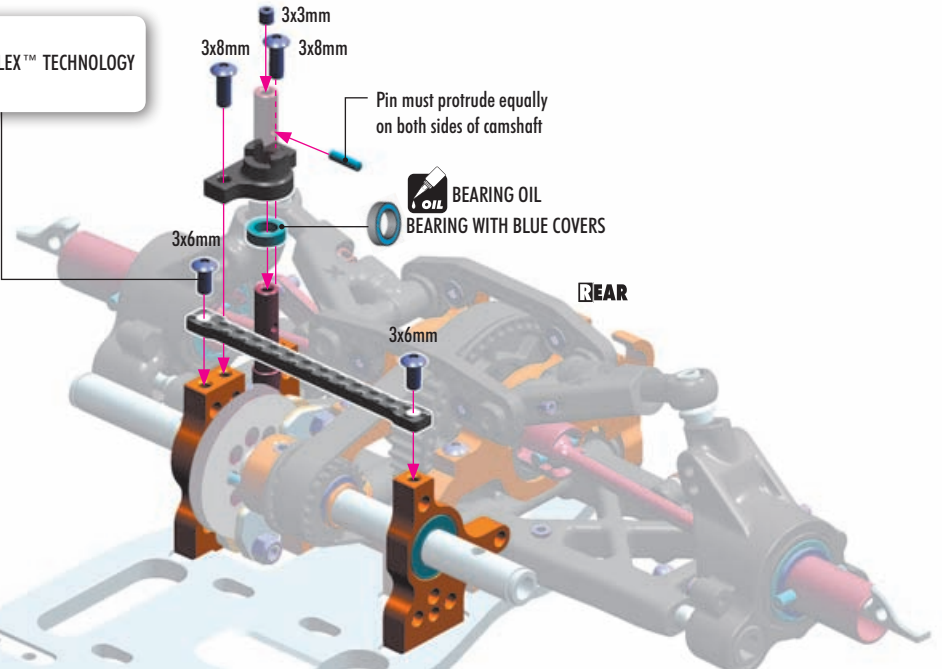


940508
BB 5x8x2.5



981208
P 2x8

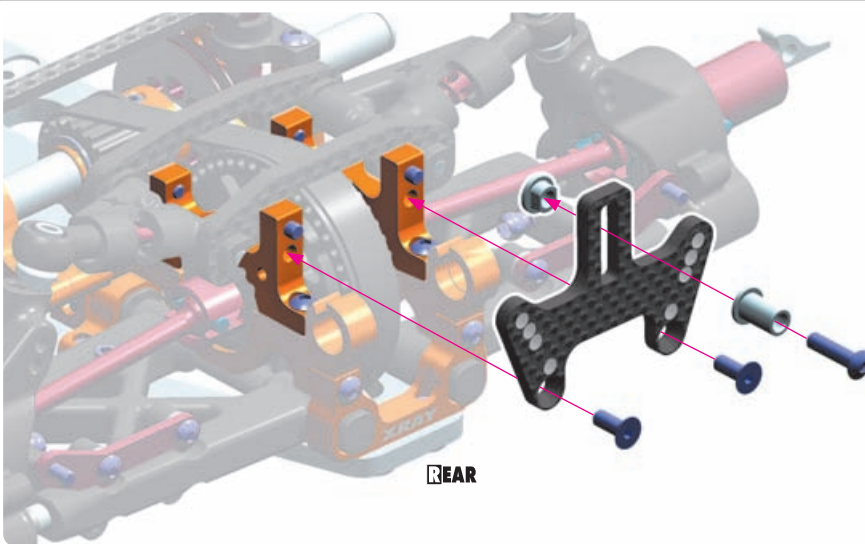
TIP These screws are part of the
REAR SUSPENSION MULTI-FLEX™ TECHNOLOGY
(see page 15)



902314
SH M3x14



903308
SFH M3x8

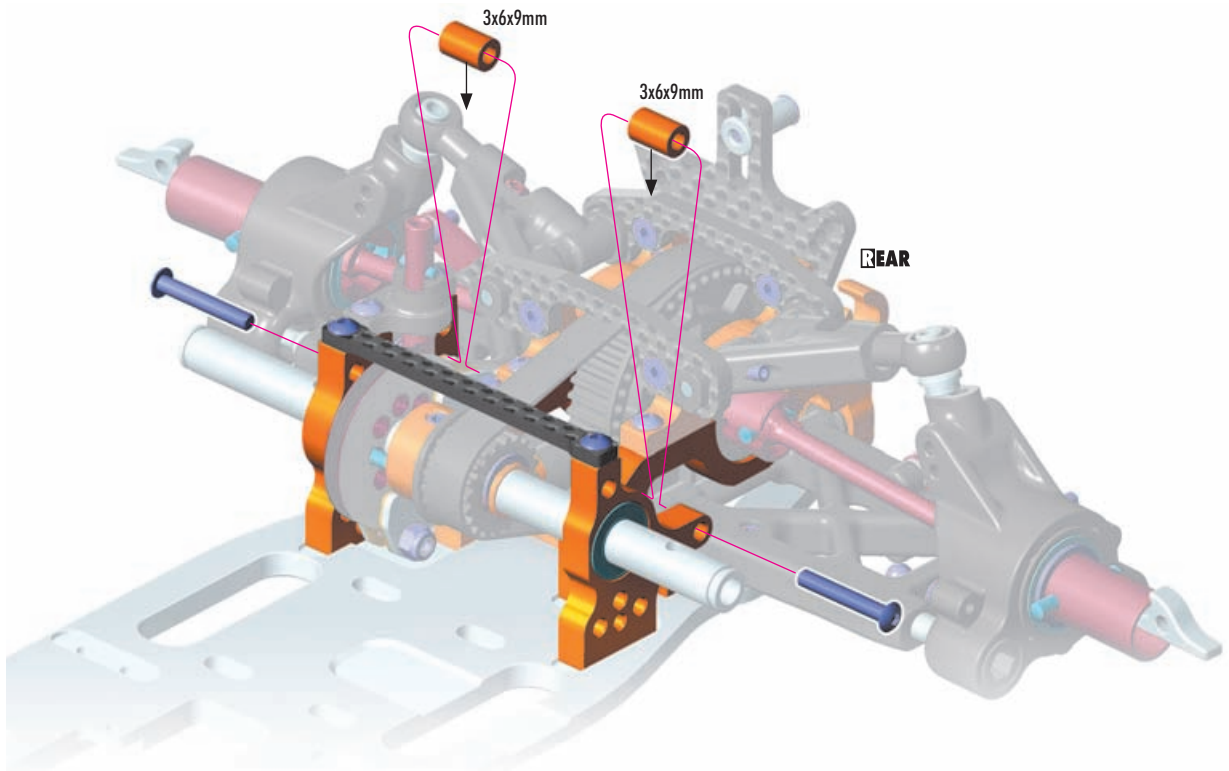




303130-0
SHIM 3x6x9



902320
SH M3x20

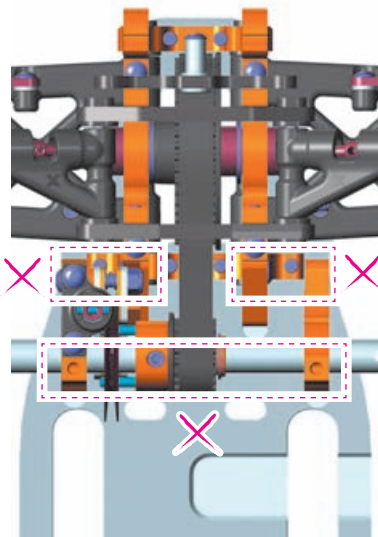


REAR SUSPENSION MULTI-FLEX™ TECHNOLOGY

The all-new rear suspension design features Multi-Flex™ quick adjustment to easily adapt the handling of the car to particular track conditions and tires used. There are 3 different flex characteristics to choose from.

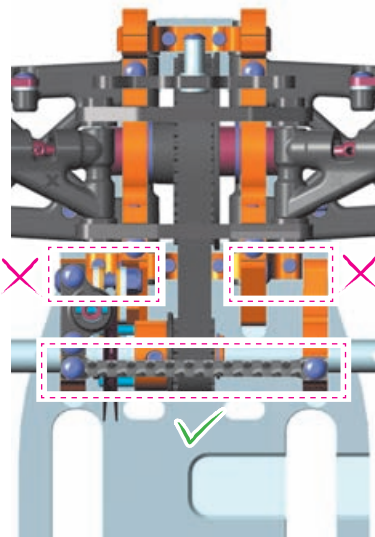
ALTERNATIVE 1 SOFT

Graphite brace and posts are not used. This allows maximum flex of the rear suspension and generates maximum rear traction. Recommended for low-traction tracks.



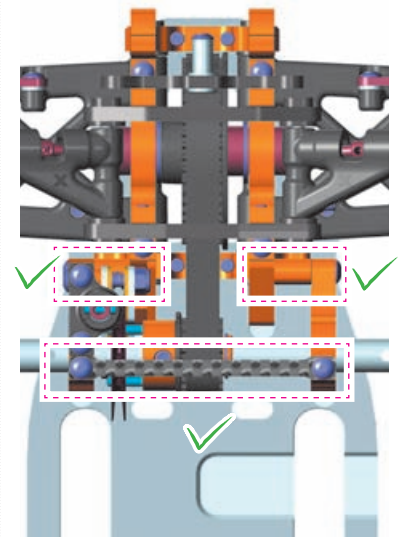
ALTERNATIVE 2 MEDIUM

Graphite brace connected to 2-speed bulkheads without posts. This slightly reduces the flex of the rear suspension and improves out-of-corner steering and rotation of the car, but also slightly decreases rear traction. Recommended for medium-traction tracks.

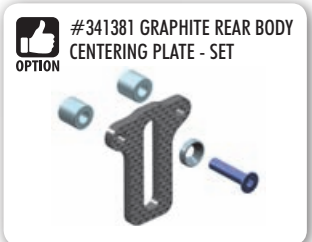
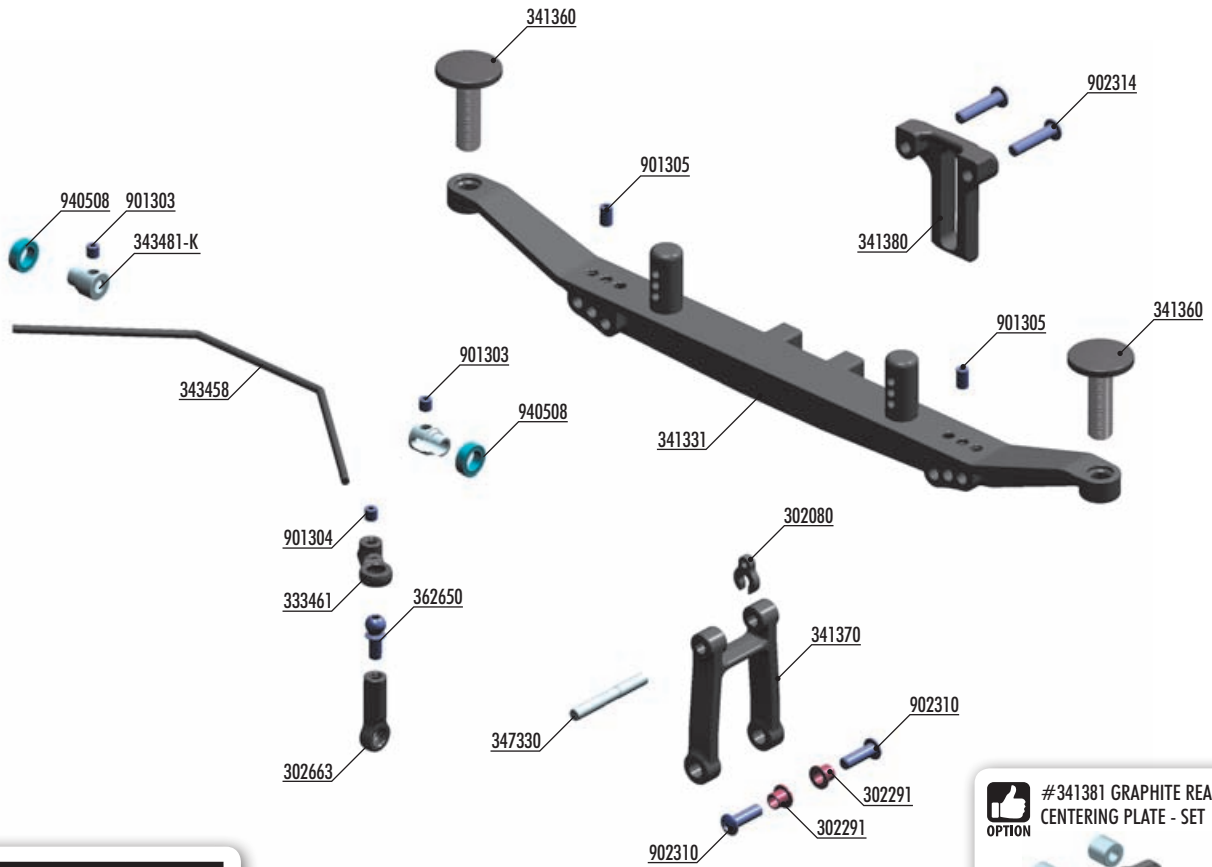


ALTERNATIVE 3 STIFF (INITIAL SETTING)

Graphite brace connected to 2-speed bulkheads with posts. This connects the entire rear suspension together, creating a stiff frame which allows the car to rotate more and improves out-of-corner steering. Recommended for high-traction tracks.



2. REAR SUSPENSION



REAR ANTI-ROLL BARS			
OPTION	#343456	2.6mm	OPTION
	#343458	2.8mm	INCLUDED
	#343460	3.0mm	OPTION

BAG

02.3

- | | | | |
|----------|--|--------|---|
| 302080 | CASTER CLIPS SET 4+3+2+1 MM (2) | 901303 | HEX SCREW SB M3x3 (10) |
| 302291 | STEEL STEERING BUSHING (2+2) | 901304 | HEX SCREW SB M3x4 (10) |
| 302663 | COMPOSITE BALL JOINT 4.9MM - OPEN - V2 (8) | 901305 | HEX SCREW SB M3x5 (10) |
| 333461 | COMPOSITE ANTI-ROLL BAR BALL JOINT 4.9 MM - V3 (4) | 902310 | HEX SCREW SH M3x10 (10) |
| 341331 | COMPOSITE REAR BODY HOLDER - HIGHER | 902314 | HEX SCREW SH M3x14 (10) |
| 341360 | COMPOSITE REAR BODY HOLDER SCREW (2) | 940508 | HIGH-SPEED BALL-BEARING 5x8x2.5 RUBBER SEALED (2) |
| 341370 | COMPOSITE REAR BODY HOLDER ARM | | |
| 341380 | COMPOSITE REAR BODY CENTERING PLATE | | |
| 343458 | ANTI-ROLL BAR REAR 2.8 MM | | |
| 343481-K | ALU CUTTED ANTI-ROLL BAR COLLAR - BLACK (2) | | |
| 347330 | REAR BODY HOLDER ARM PIN (2) | | |
| 362650 | BALL END 4.9MM WITH THREAD 6MM (2) | | |

2x **L=R**

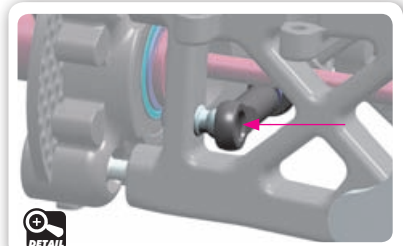
6mm THREAD



26mm

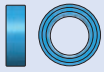


DETAIL

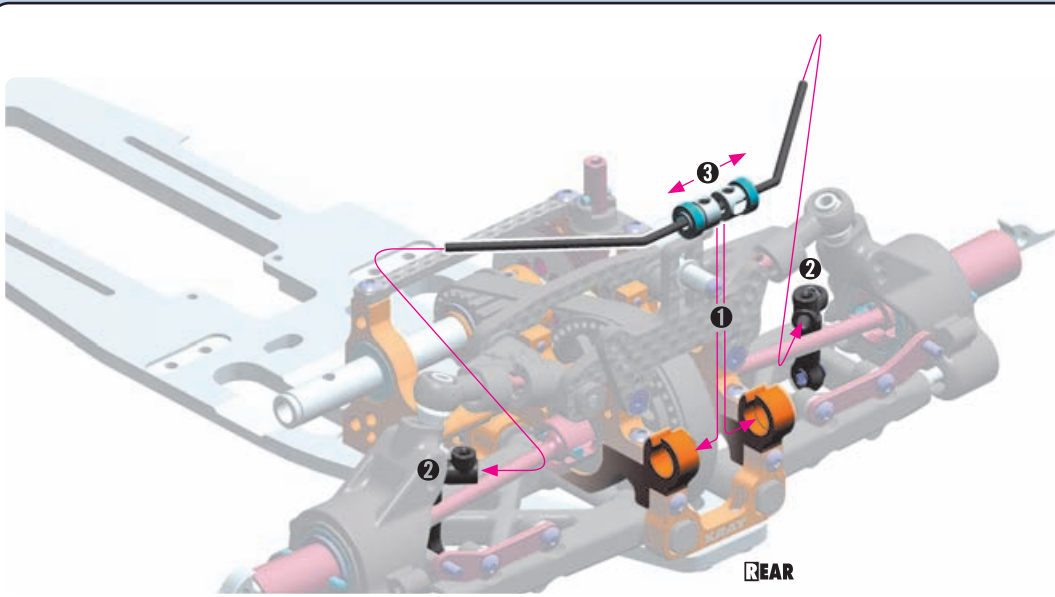
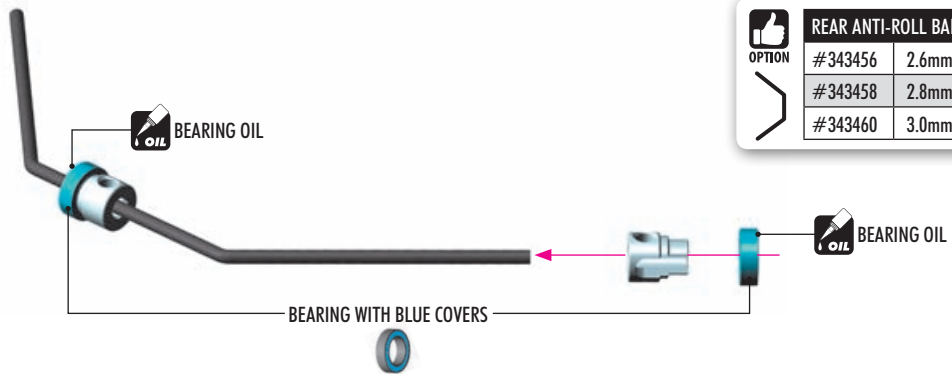


DETAIL

2. REAR SUSPENSION



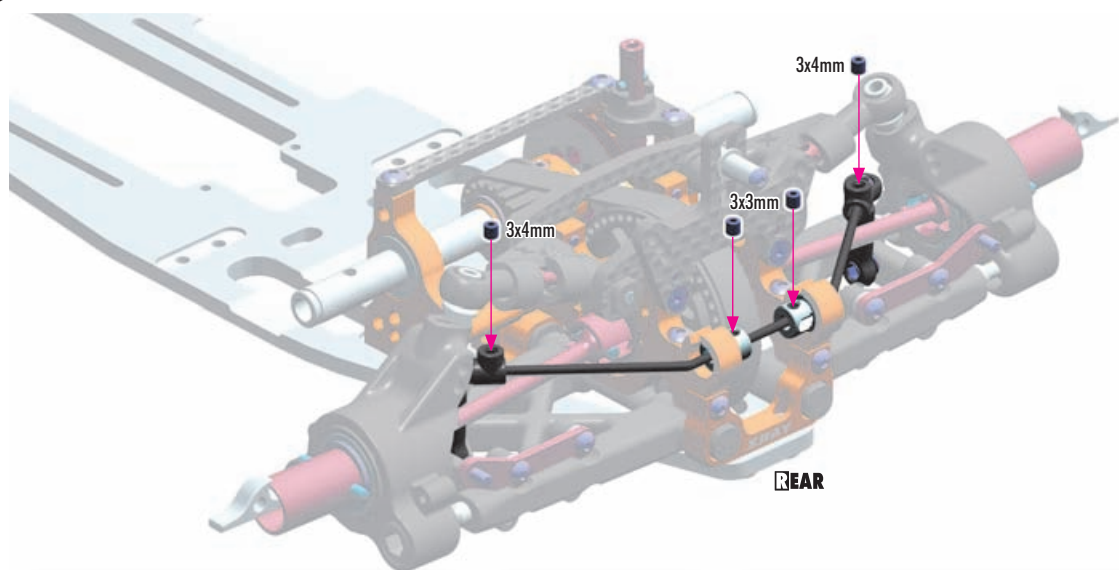
940508
BB 5x8x2.5



901303
SB M3x3



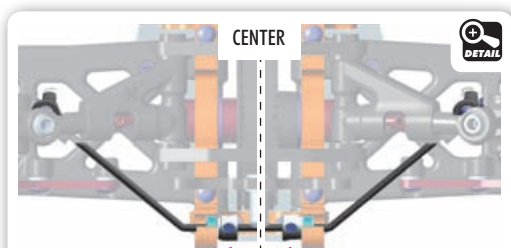
901304
SB M3x4



When the bars are set, verify that both sides move at the same time. If they do, the bars are set up correctly. If not, make sure that both downstops are the same and that the bar wire is flat.



If the sides still do not move at the same time, adjust the length of the bar holders.



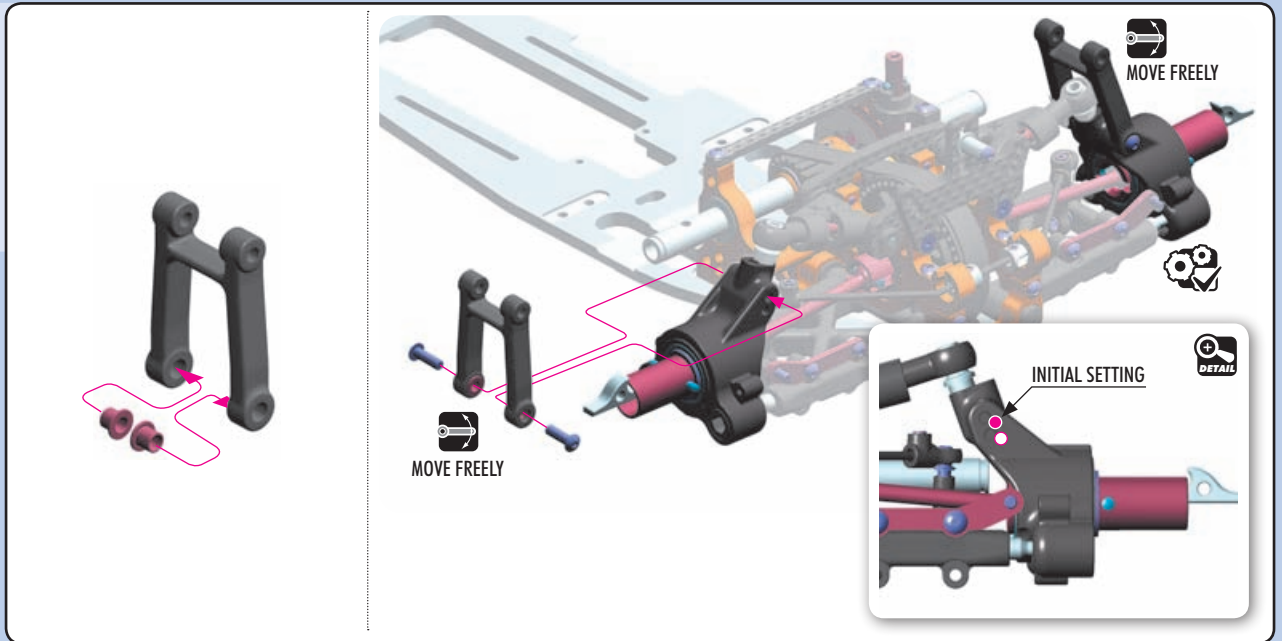
Set the bar into the center, remove the play in the bushings, and tighten the setscrews fully.

REAR

2. REAR SUSPENSION



902310
SH M3x10

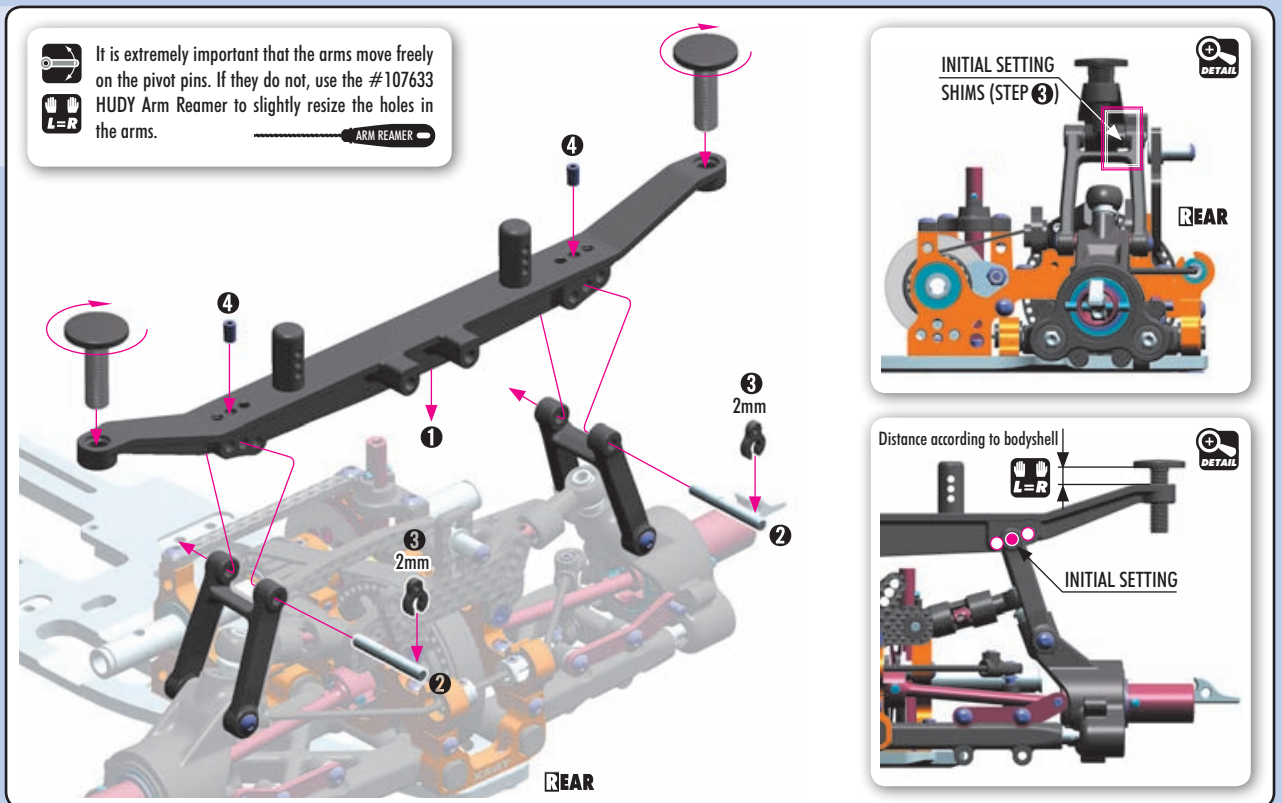


901305
SB M3x5

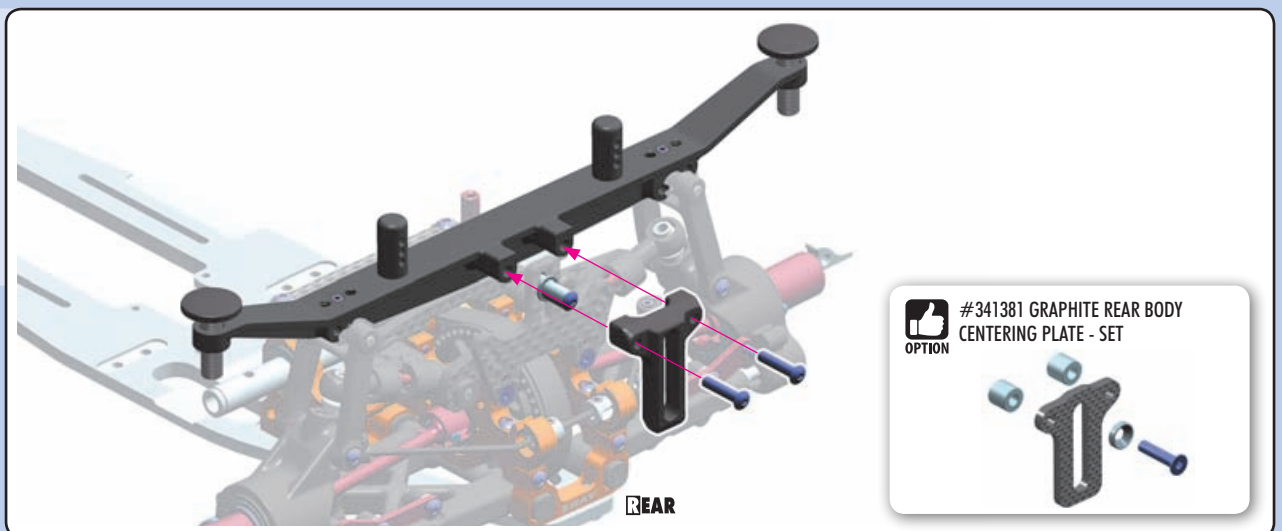


It is extremely important that the arms move freely on the pivot pins. If they do not, use the #107633 HUDY Arm Reamer to slightly resize the holes in the arms.

ARM REAMER



902314
SH M3x14



3. REAR TRANSMISSION

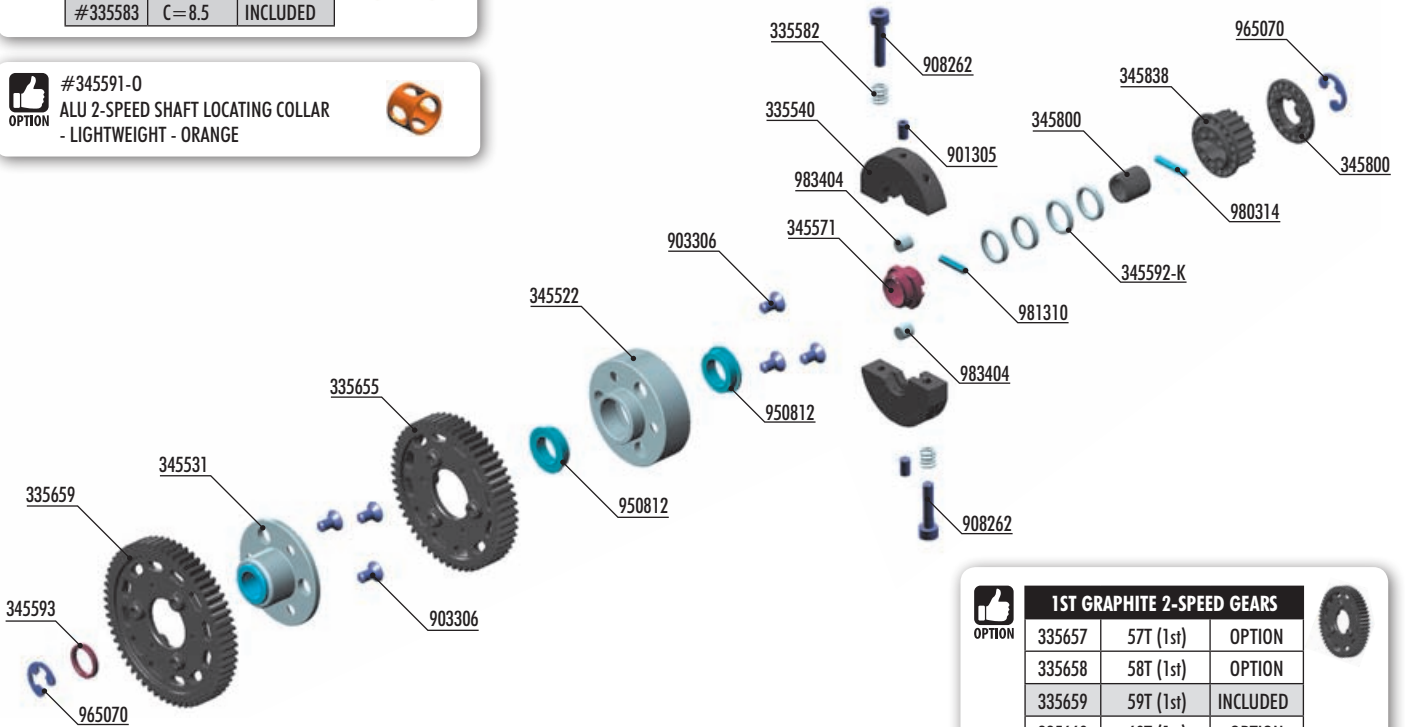


GEAR BOX SPRING

#335581	C=7.8	OPTION
#335582	C=10.4	OPTION
#335583	C=8.5	INCLUDED



#345591-0
ALU 2-SPEED SHAFT LOCATING COLLAR
- LIGHTWEIGHT - ORANGE



1ST GRAPHITE 2-SPEED GEARS

335657	57T (1st)	OPTION
335658	58T (1st)	OPTION
335659	59T (1st)	INCLUDED
335660	60T (1st)	OPTION



2ND GRAPHITE 2-SPEED GEARS

335653	53T (2nd)	OPTION
335654	54T (2nd)	OPTION
335655	55T (2nd)	INCLUDED

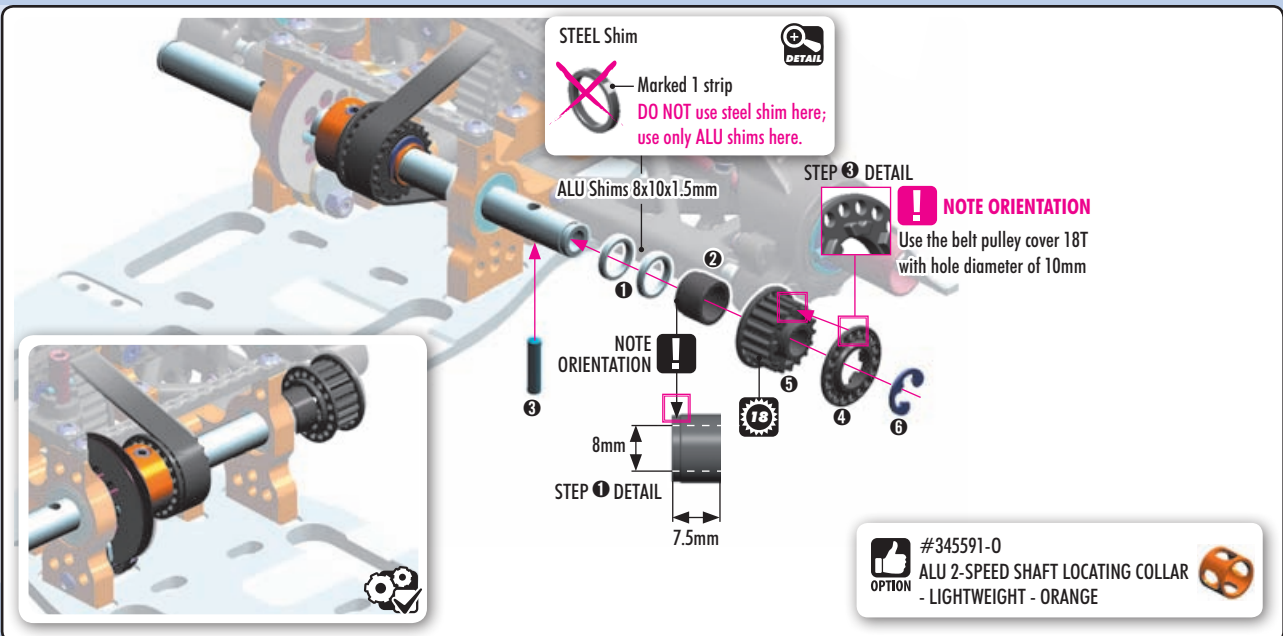


BAG



- 335540 COMPOSITE 2-SPEED GEAR BOX SHOE SET
- 335655 GRAPHITE 2-SPEED GEAR 55T (2nd)
- 335659 GRAPHITE 2-SPEED GEAR 59T (1st)
- 335582 SPRING FOR GEAR BOX - HARD (2)
- 345522 CARRIER FOR 2-SPEED GEAR (2nd) - SMALL
- 345531 ALU DRIVE FLANGE WITH ONE-WAY BEARING - SMALL - 7075 T6
- 345571 ADAPTER 2-SPEED SMALL
- 345592-K ALU 2-SPEED SHAFT SHIM - BLACK (2)
- 345593 STEEL 2-SPEED SHAFT SHIM (2)
- 345800 COMPOSITE BELT PULLEY COVER SET
- 345838 COMPOSITE SIDE BELT PULLEY 18T ø8 - REAR

- 901305 HEX SCREW SB M3x5 (10)
- 903306 HEX SCREW SFH M3x6 (10)
- 908262 HEX SCREW SOCKET HEAD CAP M2.5x12 (10)
- 950812 BALL-BEARING 8x12x3.5 FLANGED (2)
- 965070 E-CLIP 7 (10)
- 980314 PIN 3x14 (10)
- 981310 PIN 3x10 (10)
- 983404 ROLLER PIN 4x4 MM (2)



#345591-0
ALU 2-SPEED SHAFT LOCATING COLLAR
- LIGHTWEIGHT - ORANGE



3. REAR TRANSMISSION



901305
SB M3x5



908262
SCH M2.5x12



983404
RP 4x4

NOTE ORIENTATION (multiple instances)

SHIFT-POINT SCREW (5)

SHOE-GAP SET-SCREW (1)

TIP Use white paint to color the top of ONE screw head. This will allow you to identify the two different screws - one white, one dark - when you are adjusting the shift point.

Set-screws must NOT protrude

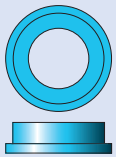
Top of screw head should be level with hole bottom edge

Do not overtighten gap-setting set-screws. Only tighten until roller pins contact the center hub.

GEAR BOX SPRING			
OPTION	#335581	C=7.8	OPTION
	#335582	C=10.4	OPTION
	#335583	C=8.5	INCLUDED



903306
SFH M3x6



950812
BB 8x12x4

2ND GEAR

NOTE ORIENTATION

BEARING OIL

BEARING OIL

Use HUDY Reamer #107600 to slightly chamfer the edges on all 3 screw holes from inside.

1ST GEAR

NOTE ORIENTATION

ONE-WAY LUBE

Use HUDY Reamer #107600 to slightly chamfer the edges on all 3 screw holes from inside.



34592-K
ALU SHIM 8x10x1.5



34593
STEEL SHIM 8x10x1.5



965070
C7



981310
P 3x10

STEEL Shim (Marked 1 strip)

REAR

NOTE ORIENTATION (multiple instances)

ALU Shims 8x10x1.5mm

2ND GEAR

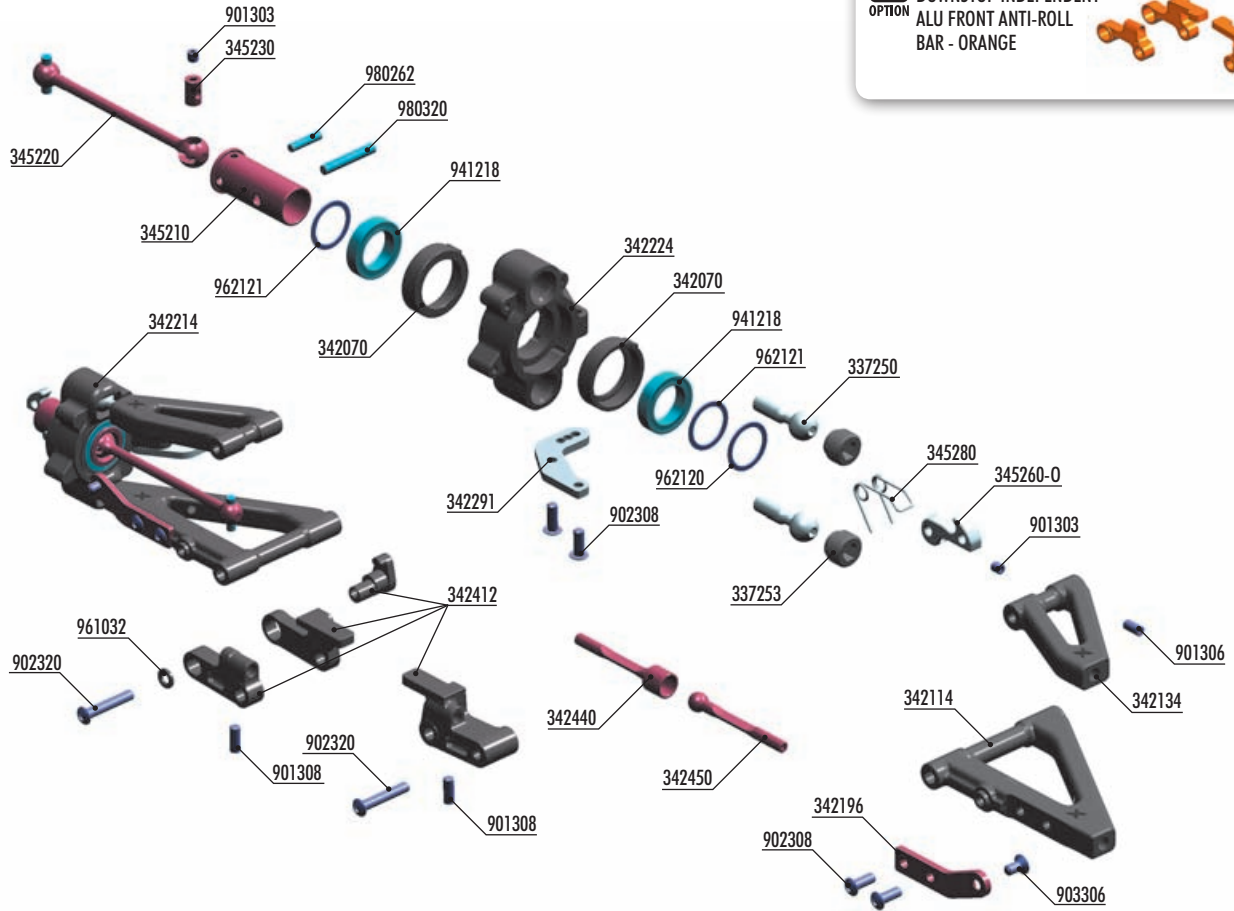
1ST GEAR

1ST GRAPHITE 2-SPEED GEARS
OPTION
2ND GRAPHITE 2-SPEED GEARS
See page 19, exploded view

4. FRONT SUSPENSION


OPTION #345270 GRAPHITE FRONT AERODYNAMIC DISC 1.6mm - SET 

OPTION #342401-0 DOWNSTOP INDEPENDENT ALU FRONT ANTI-ROLL BAR - ORANGE 




OPTION **FRONT SUSPENSION UPPER ARMS**

#342131	MEDIUM	OPTION
#342132	HARD	OPTION
#342133	GRAPHITE	OPTION
#342134	SOFT	INCLUDED




OPTION **FRONT SUSPENSION LOWER ARMS**

#342114	MEDIUM	INCLUDED
#342115	GRAPHITE	OPTION



OPTION **STEERING BLOCKS**

#342214	RIGHT	INCLUDED
#342215	RIGHT	OPTION
#342224	LEFT	INCLUDED
#342225	LEFT	OPTION



OPTION #345212 ALU FRONT CVD DRIVE AXLE - SWISS 7075 T6 - HARDCOATED 

BAG



337250	STEEL PIVOT BALL 8.4 MM (2)	345260-0	ALU FRONT WHEEL LOCK - SWISS 7075 T6 - ORANGE (2)
337253	COMPOSITE ADJUSTING NUT M10x1 (4)	345280	WHEEL SPRING (2)
342070	COMPOSITE SET OF BUSHINGS (2)		
342114	SUSPENSION ARM FOR WIRE ANTI-ROLL BAR - FRONT	901303	HEX SCREW SB M3x3 (10)
342134	COMPOSITE SUSPENSION ARM FRONT UPPER - SHORT - SOFT	901306	HEX SCREW SB M3x6 (10)
342196	STEEL EXTENSION FOR SUSPENSION ARM - FRONT LOWER (L + R)	901308	HEX SCREW SB M3x8 (10)
342214	COMPOSITE STEERING BLOCK FOR AERO DISC - RIGHT	902308	HEX SCREW SH M3x8 (10)
342224	COMPOSITE STEERING BLOCK FOR AERO DISC - LEFT	902320	HEX SCREW SH M3x20 (10)
342291	ALU EXTENSION FOR STEERING BLOCK - SWISS 7075 T6 (2)	903306	HEX SCREW SFH M3x6 (10)
342412	COMPOSITE FRONT ANTI-ROLL BAR HOLDERS	941218	HIGH-SPEED BALL-BEARING 12x18x4 RUBBER SEALED (2)
342440	ANTI-ROLL BAR FRONT FEMALE - HUDY SPRING STEEL™	961032	WASHER S 3.2 (10)
342450	ANTI-ROLL BAR FRONT MALE - HUDY SPRING STEEL™	962120	WASHER S 12x15x0.5 (10)
345210	FRONT WHEEL AXLE - HUDY SPRING STEEL™	962121	WASHER S 12x15x1.0 (10)
345220	FRONT CVD DRIVE SHAFT 71MM - HUDY SPRING STEEL™	980262	PIN 2.5x12 (10)
345230	DRIVE SHAFT COUPLING - HUDY SPRING STEEL™	980320	PIN 3x20 (10)

4. FRONT SUSPENSION

2x

Tighten the composite hex nuts using HUDY tool #107581 **TIP**

PIVOT BALLS MUST MOVE FREELY
During initial assembly, tighten each composite hex nut until the pivot ball starts to bind, then loosen slightly. Verify that the pivot balls move freely.

OPTION	ADJUSTING NUT		
#337253	COMPOSITE	INCLUDED	
#337252	ALU	OPTION	

OPTION	PIVOT BALLS		
#337250	STEEL	INCLUDED	
#337251	ALU	OPTION	
#337255	TITANIUM	OPTION	

OPTION	STEERING BLOCKS		
#342214	RIGHT	INCLUDED	
#342215	RIGHT	OPTION	
#342224	LEFT	INCLUDED	
#342225	LEFT	OPTION	

902308
SH M3x8

2x

NOTE ORIENTATION

901303
SB M3x3

980262
P 2.5x12

2x

STEP 5 DETAIL
Tighten the screw fully when the pin is installed.

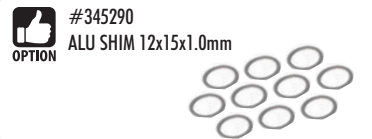
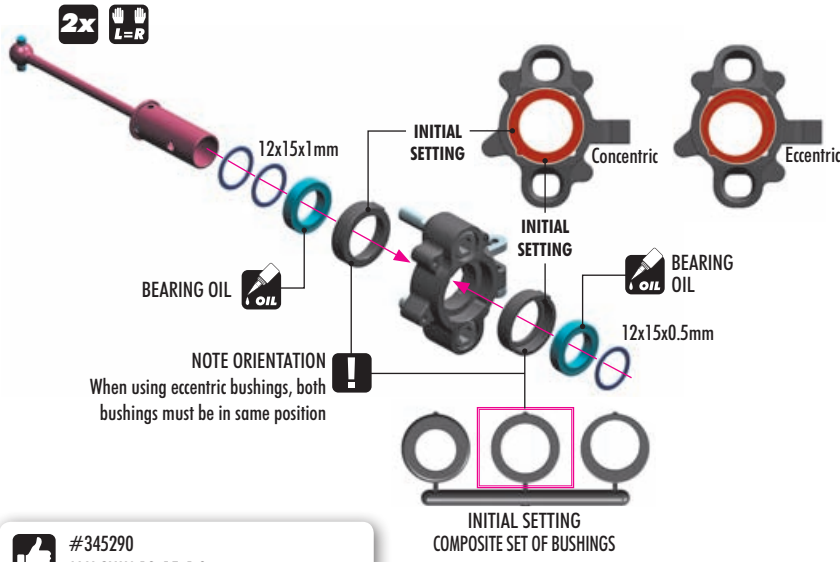
GRAPHITE GREASE (HUDY # 106210)

Tighten **2** gently, **5** Tighten fully

THREAD LOCK **TL**

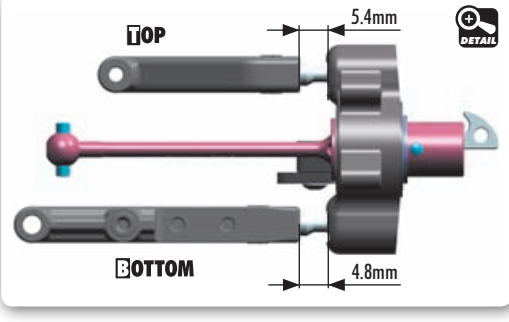
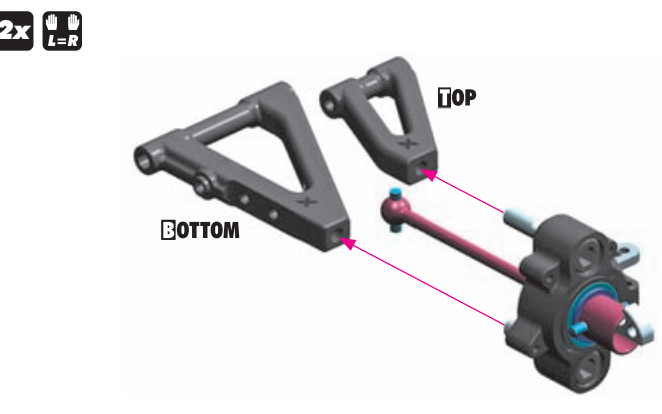
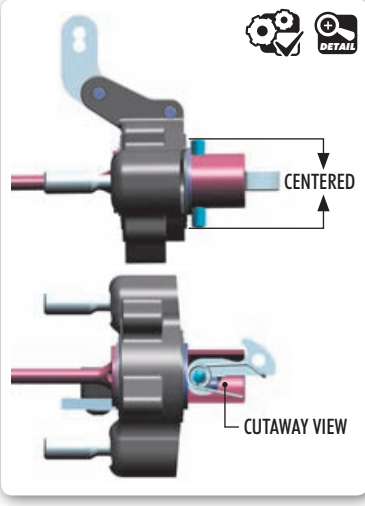
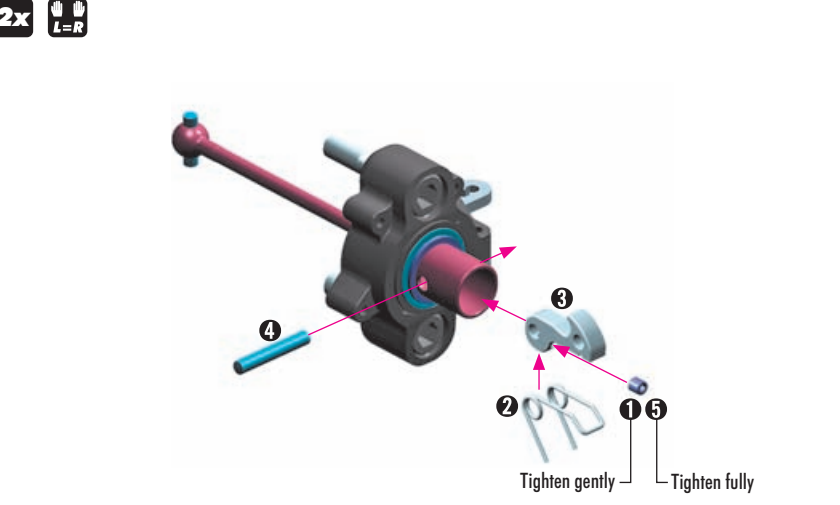
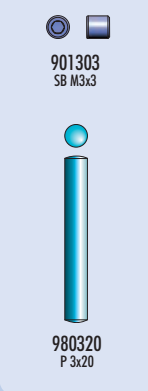
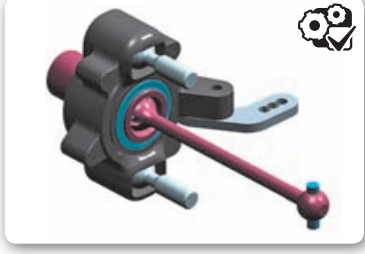
#345212 ALU FRONT CVD DRIVE AXLE - SWISS 7075 T6 - HARDCOATED

4. FRONT SUSPENSION



SHIM **SHIM**

INNER	INITIAL SETTING	OUTER
1+1	INITIAL SETTING	0.5
1+0.5		1
1		1+0.5
0.5		1+1
0		1+1+0.5



OPTION

FRONT SUSPENSION UPPER ARMS		
#342131	MEDIUM	OPTION
#342132	HARD	OPTION
#342133	GRAPHITE	OPTION
#342134	SOFT	INCLUDED

OPTION

FRONT SUSPENSION LOWER ARMS		
#342114	MEDIUM	INCLUDED
#342115	GRAPHITE	OPTION

4. FRONT SUSPENSION



901308
SB M3x8



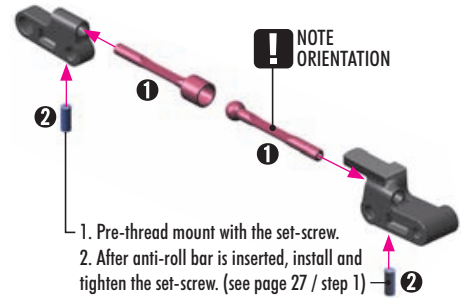
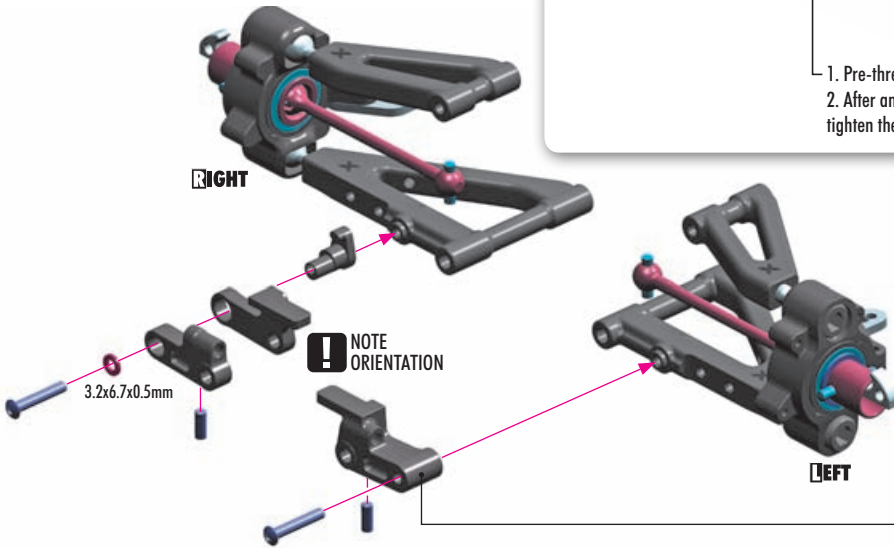
902320
SH M3x20



961032
S3.2

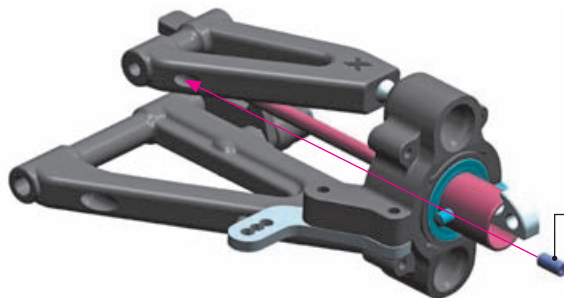
IMPORTANT
Install all mount parts, regardless of the type of front anti-roll bar used (blade or wire). See page 27.

ALTERNATIVE 2: BLADE ANTI-ROLL BAR
Install these blade parts **ONLY** when using the blade-type front anti-roll bar. See page 27. **DO NOT** install the blade parts when using the wire-type front anti-roll bar.



901306
SB M3x6

2x L=R



TIGHTEN GENTLY, tighten fully when the drive pins are assembled. (Page 29, step 1)

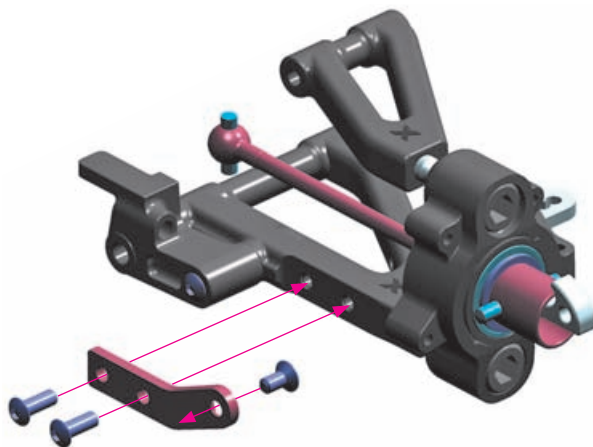


902308
SH M3x8



903306
SFH M3x6

2x L=R



4. FRONT SUSPENSION



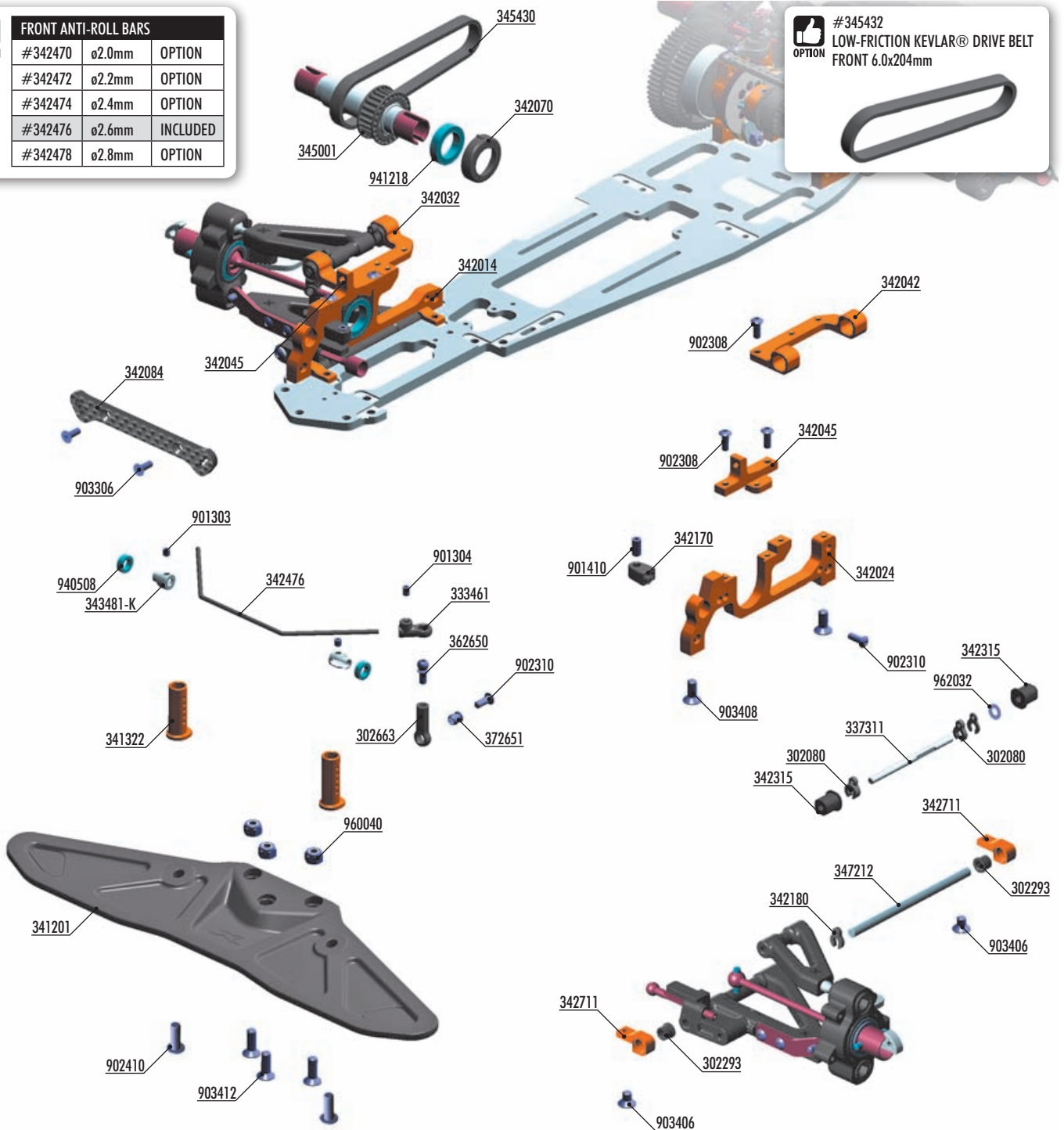
OPTION

FRONT ANTI-ROLL BARS			
#342470	ø2.0mm	OPTION	
#342472	ø2.2mm	OPTION	
#342474	ø2.4mm	OPTION	
#342476	ø2.6mm	INCLUDED	
#342478	ø2.8mm	OPTION	



OPTION

#345432
LOW-FRICTION KEVLAR® DRIVE BELT
FRONT 6.0x204mm



BAG

04.2

- | | | | |
|----------|---|--------|---|
| 302080 | COMPOSITE CASTER CLIPS SET 4 + 3 + 2 + 1 MM (2) | 347212 | FRONT LOWER INNER PIVOT PIN (2) |
| 302293 | C-HUB BUSHING COMPOSITE - V2 (4) | 362650 | BALL END 4.9MM WITH THREAD 6MM (2) |
| 302663 | COMPOSITE BALL JOINT 4.9MM - OPEN - V2 (8) | 372651 | PIVOT BALL UNIVERSAL 4.9 MM - HUDY SPRING STEEL (2) |
| 333461 | COMPOSITE ANTI-ROLL BAR BALL JOINT 4.9 MM - V3 (4) | | |
| 337311 | PIVOT PIN WITH FLAT SPOT (2) | 901303 | HEX SCREW SB M3x3 (10) |
| 341201 | COMPOSITE BUMPER - DOWNFORCE | 901304 | HEX SCREW SB M3x4 (10) |
| 341322 | ALU FRONT BODY POST - SHORT - SWISS 7075 T6 (2) | 901410 | HEX SCREW SB M4x10 (10) |
| 342014 | ALU LOWER BULKHEAD FRONT - SWISS 7075 T6 - RIGHT | 902308 | HEX SCREW SH M3x8 (10) |
| 342024 | ALU LOWER BULKHEAD FRONT - SWISS 7075 T6 - LEFT | 902310 | HEX SCREW SH M3x10 (10) |
| 342032 | ALU UPPER ARM HOLDER RIGHT - SWISS 7075 T6 - SET | 902410 | HEX SCREW SH M4x10 (10) |
| 342042 | ALU UPPER ARM HOLDER LEFT - SWISS 7075 T6 - SET | 903306 | HEX SCREW SFH M3x6 (10) |
| 342045 | ALU UPPER CLAMP FRONT - SWISS 7075 T6 - (L+R) | 903406 | HEX SCREW SFH M4x6 (10) |
| 342070 | COMPOSITE SET OF BUSHINGS (2) | 903408 | HEX SCREW SFH M4x8 (10) |
| 342084 | GRAPHITE SHOCK TOWER FRONT | 903412 | HEX SCREW SFH M4x12 (10) |
| 342170 | COMPOSITE SUSPENSION ARM DOWNSTOP (2) | 940508 | HIGH-SPEED BALL-BEARING 5x8x2.5 RUBBER SEALED (2) |
| 342180 | COMPOSITE LOWER SUSP. ARM CLIPS (2) | 941218 | HIGH-SPEED BALL-BEARING 12x18x4 RUBBER SEALED (2) |
| 342315 | COMPOSITE FRONT UPPER SUSP. ECCENTRIC BUSHING (4) | 960040 | NUT M4 (10) |
| 342476 | ANTI-ROLL BAR FRONT 2.6 MM | 962032 | WASHER S 3x6x0.2 (10) |
| 342711 | ALU LOWER FRONT SUSPENSION HOLDER (1) - SWISS 7075 T6 | | |
| 343481-K | ALU CUTTED ANTI-ROLL BAR COLLAR - BLACK (2) | 345001 | FRONT ONE-WAY - HARDCOATED + LIGHTWEIGHT ADAPTERS |
| 345430 | PUR® REINFORCED DRIVE BELT FRONT 6.0 x 204 MM | | |

4. FRONT SUSPENSION

901410
SB M4x10

902310
SH M3x10

903408
SFH M4x8

2x

941218
BB 12x18x4

NOTE ORIENTATION

BEARING OIL

NOTE ORIENTATION

NOTE ORIENTATION

INITIAL SETTING
COMPOSITE SET OF BUSHINGS

NOTE ORIENTATION

Both bushings must be in same position

BEARING OIL

FRONT

OPTION #345432
LOW FRICTION KEVLAR DRIVE
BELT FRONT 6.0x204mm

2x

902308
SH M3x8

NOTE ORIENTATION

903306
SFH M3x6

NOTE ORIENTATION

4. FRONT SUSPENSION

The RX8 kit comes with both types of front anti-roll bars; blade-style or wire. Decide which anti-roll bar to use.

Blade anti-roll bar (Alternative 1) page 27

is recommended for long, fast tracks when maximum cornering speed is needed. With the blade anti-roll bar, the car will not dive in the corners and will maintain maximum speed. Follow the "Alternative 1" assembly steps (immediately below).

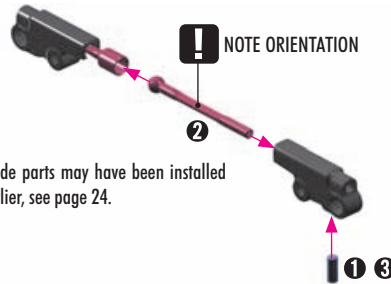
Wire anti-roll bar (Alternative 2) go to page 28

is recommended for smaller, technical tracks when fast direction changes and side weight changes are needed. Follow the "Alternative 2" assembly steps starting on page 28; DO NOT assemble the blade bars as described immediately below.

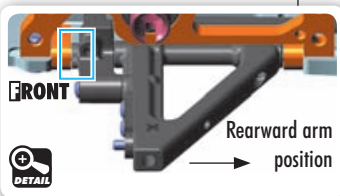
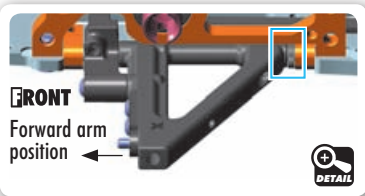
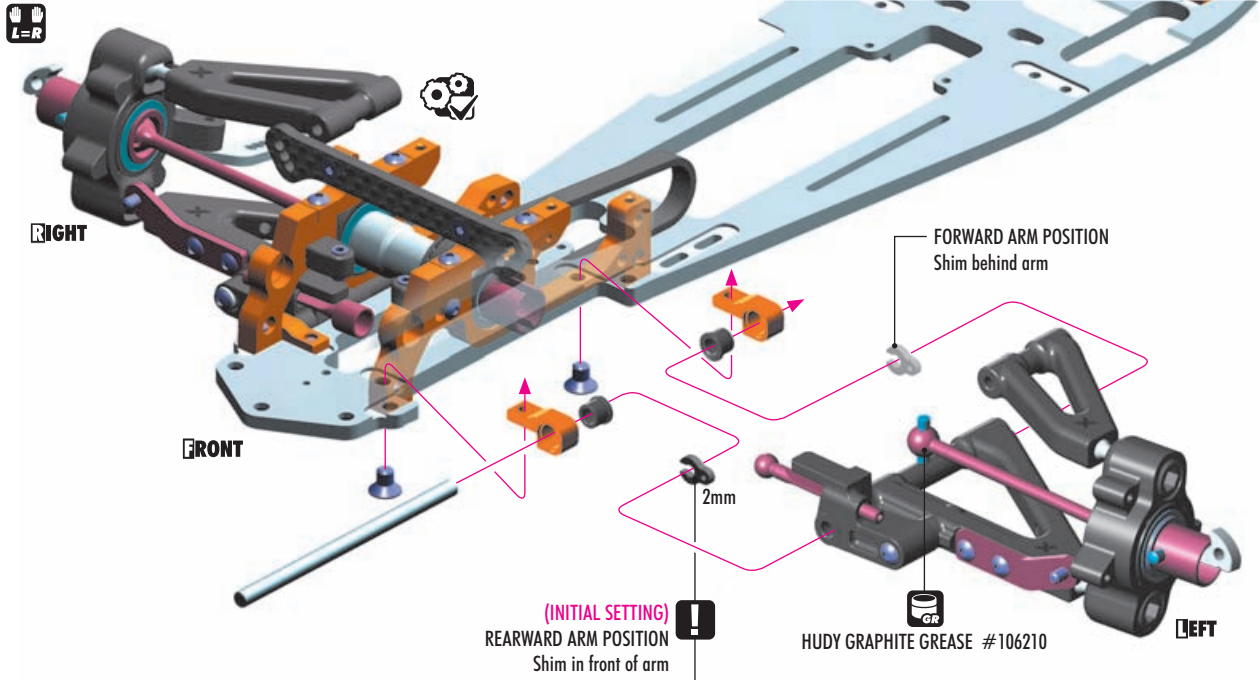
ALTERNATIVE 1 (BLADE ANTI-ROLL BAR)



- 1 Pre-thread mount with the set-screw
- 3 After anti-roll bar is inserted, install and tighten the set-screw



Blade parts may have been installed earlier, see page 24.

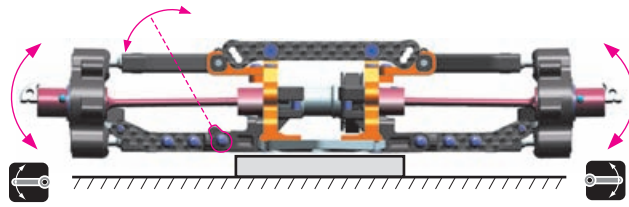


It is extremely important that the arms move freely on the pivot pins. If they do not, use the #107634 HUDY Arm Reamer to slightly resize the holes in the arms.

IMPORTANT!

The position of the front arm directly influences the steering Ackermann (angle of the steering linkages). When the arm is moved to rearward position (shim in front of the arm), the angle of the steering linkages changes and gives less Ackermann. By decreasing the Ackermann, the car gets more turn-in & increased steering at corner exit, but less cornering speed. The Ackermann can be changed by the Quick-Saver™ (see page 33).

When the bar is set, verify that both sides move at the same time. If they do, the bars are set up correctly. If not, make sure that both downstops are the same. If the arms still do not move at the same time, gently loosen the screw which holds eccentric bushing and adjust the bushing until both arms move at the same time.



Ensure that the suspension arms move freely. Ensure that the eccentric holders move freely.

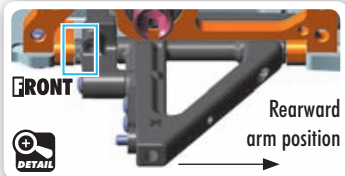
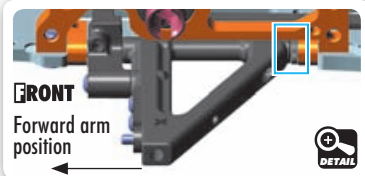
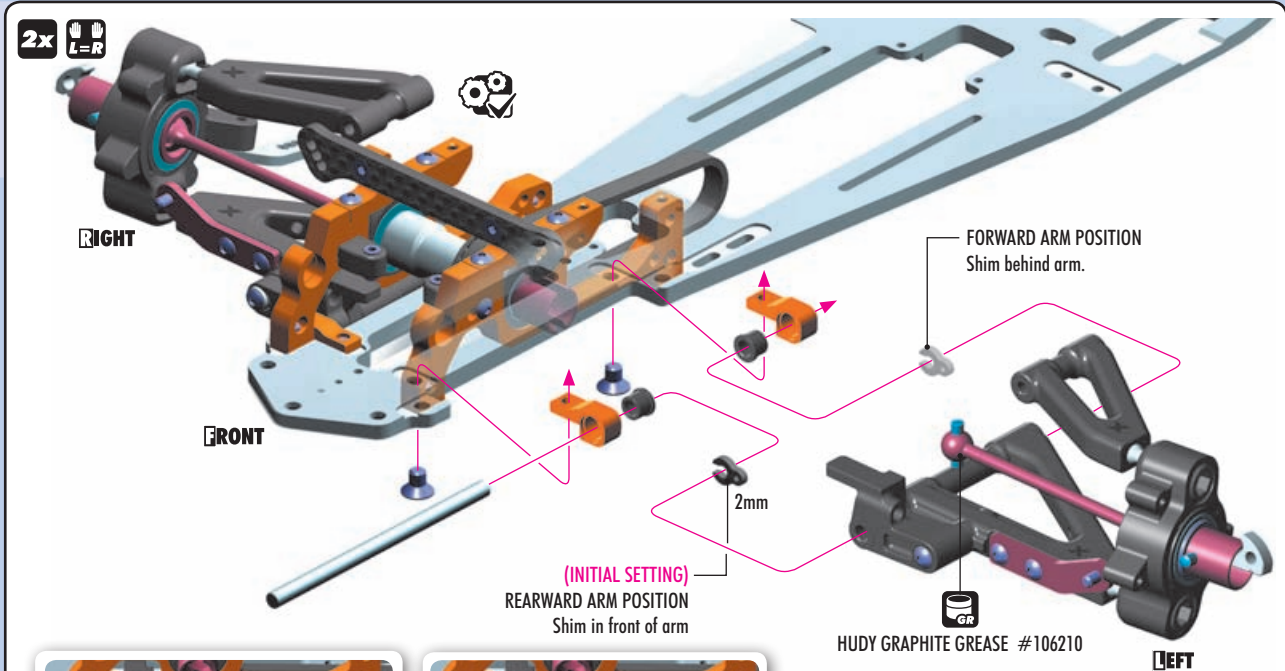
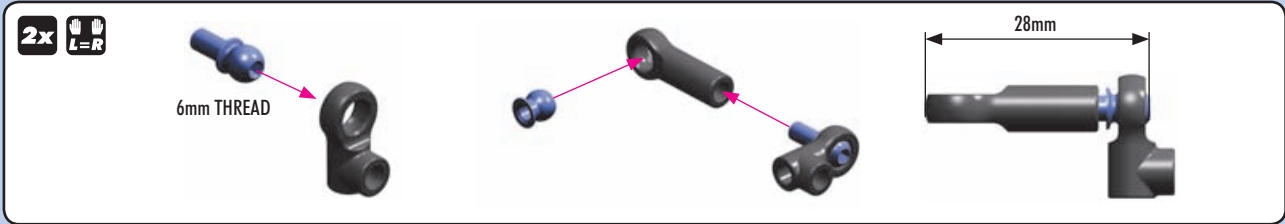
Do not insert ball into cup too deeply or bars will bind during operation.

1.5mm

Each anti-roll bar blade has a hex hole at its end. Use a 1.5mm hex wrench to adjust the blades.

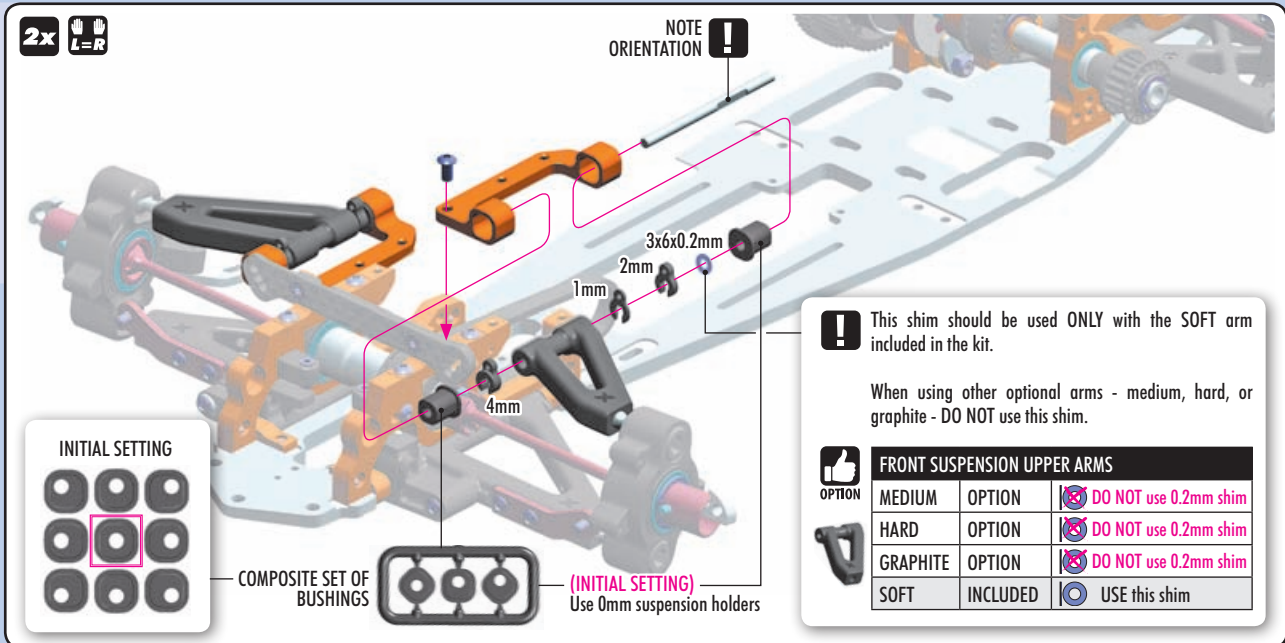
4. FRONT SUSPENSION

ALTERNATIVE 2 (WIRE ANTI-ROLL BAR)



It is extremely important that the arms move freely on the pivot pins. If they do not, use the #107634 HUDY Arm Reamer to slightly resize the holes in the arms.

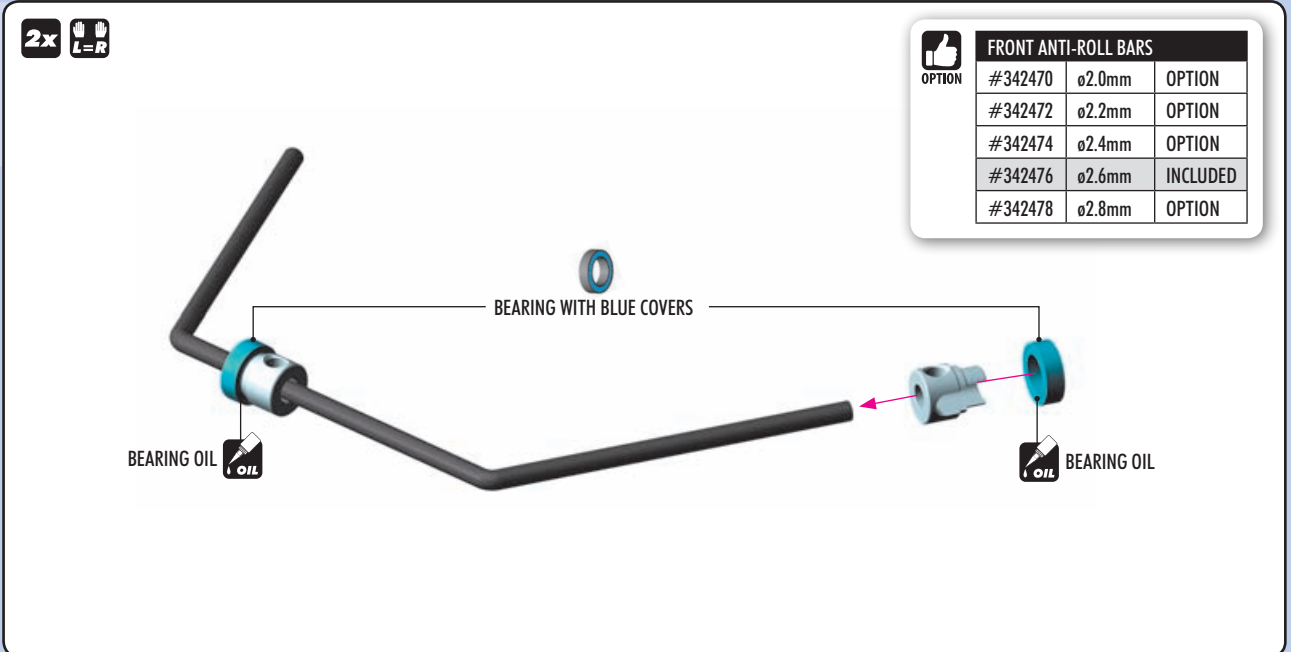
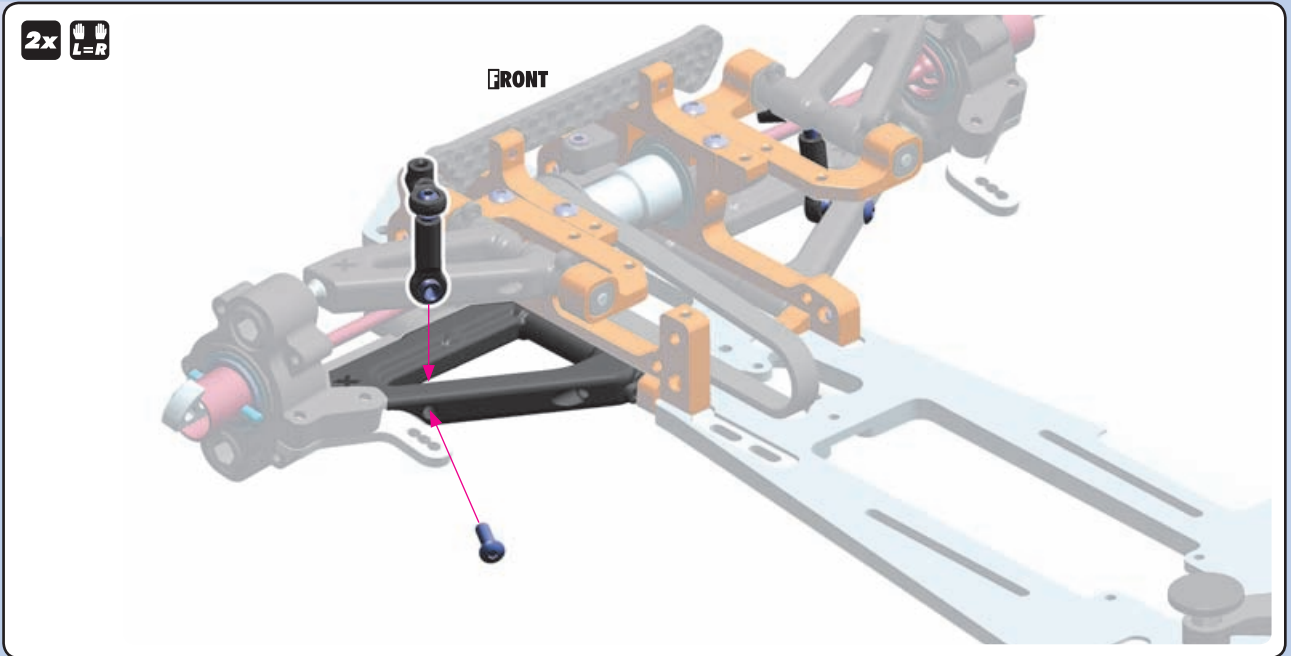
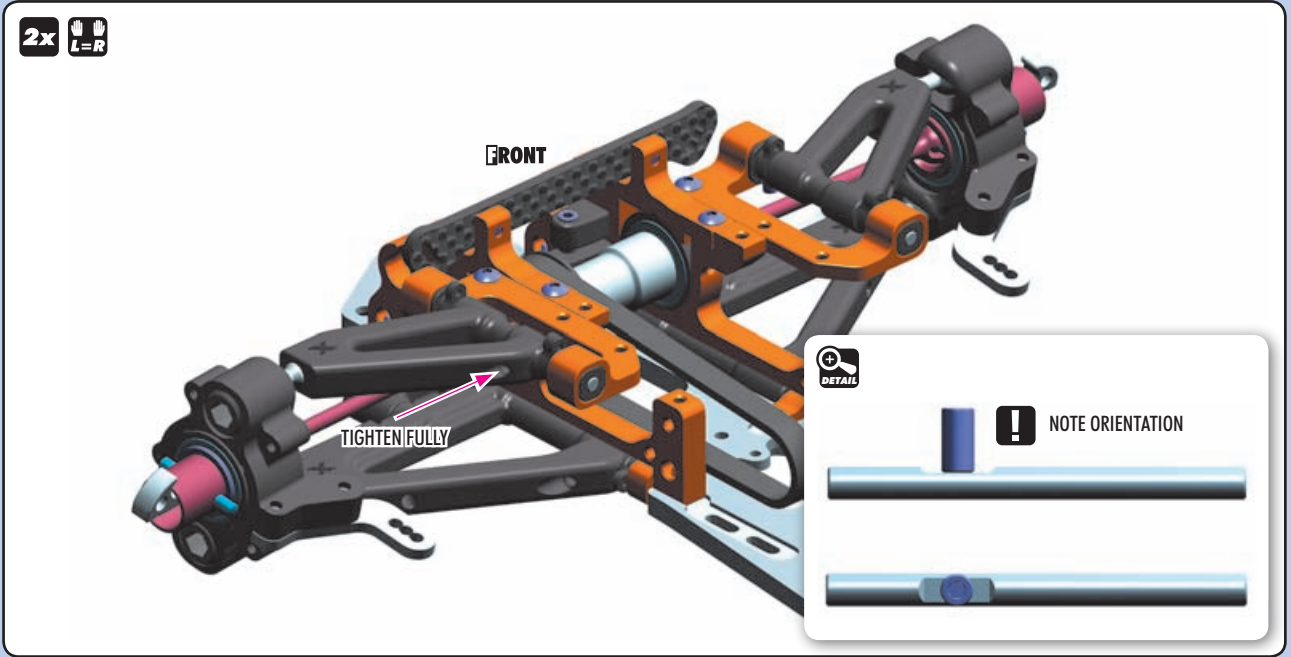
IMPORTANT!
 The position of the front arm directly influences the steering Ackermann (angle of the steering linkages). When the arm is moved to rearward position (shim in front of the arm), the angle of the steering linkages changes and gives less Ackermann. By decreasing the Ackermann, the car gets more turn-in & increased steering at corner exit, but less cornering speed. The Ackermann can be changed by the Quick-Saver™ (see page 33).



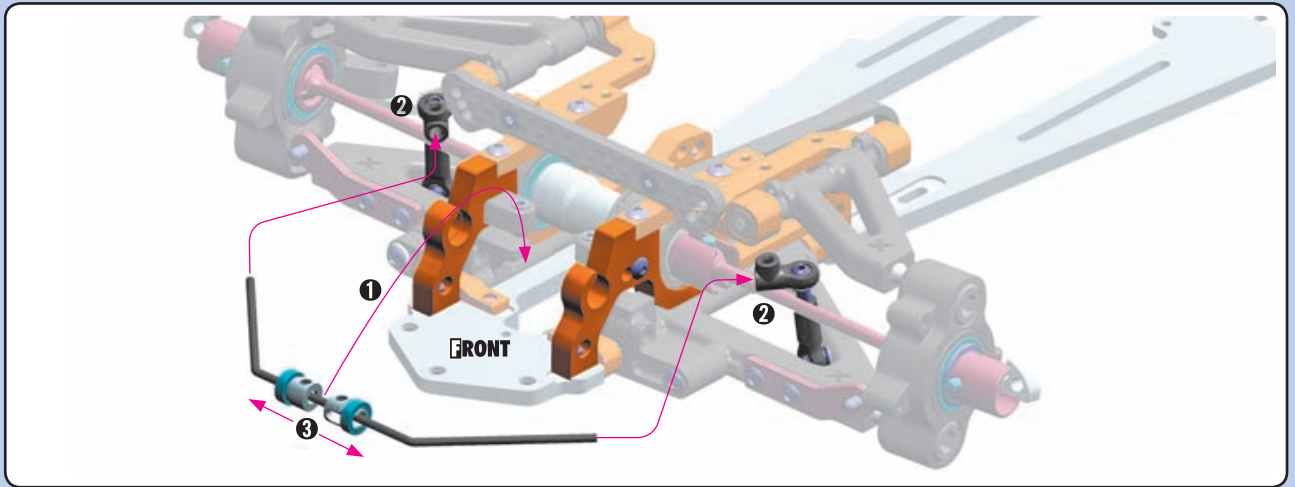
! This shim should be used ONLY with the SOFT arm included in the kit.
 When using other optional arms - medium, hard, or graphite - DO NOT use this shim.

FRONT SUSPENSION UPPER ARMS			
OPTION	MEDIUM	OPTION	DO NOT use 0.2mm shim
	HARD	OPTION	DO NOT use 0.2mm shim
	GRAPHITE	OPTION	DO NOT use 0.2mm shim
	SOFT	INCLUDED	USE this shim

4. FRONT SUSPENSION

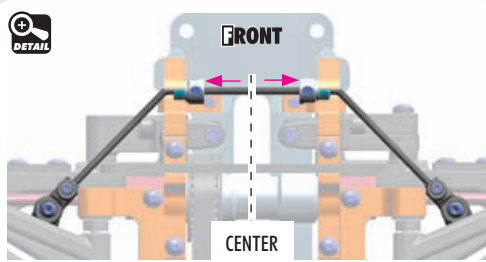
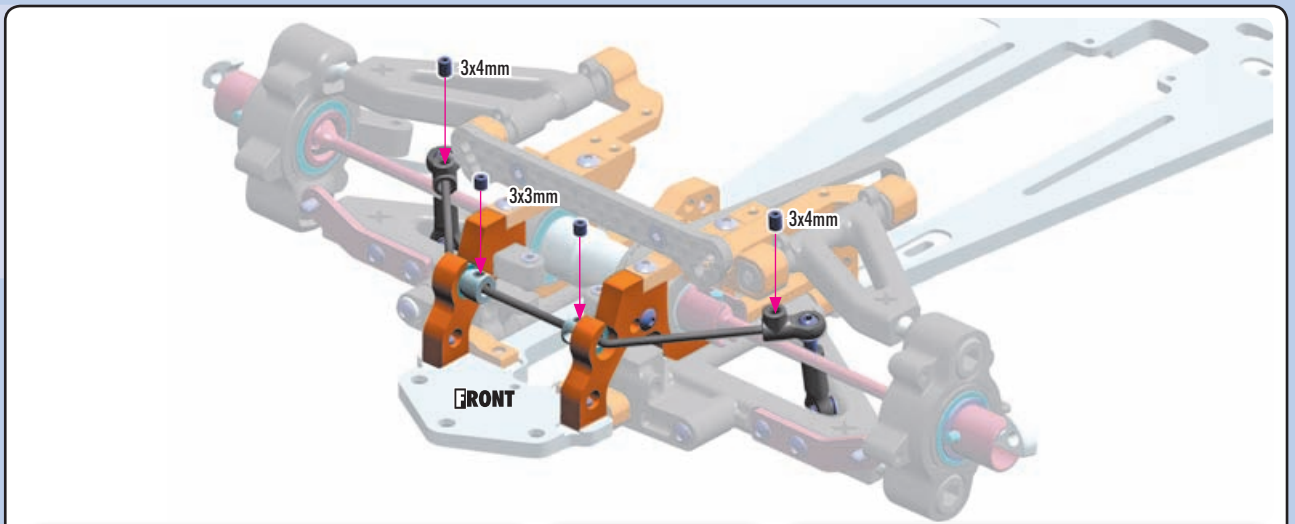


4. FRONT SUSPENSION



901303
SB M3x3

901304
SB M3x4

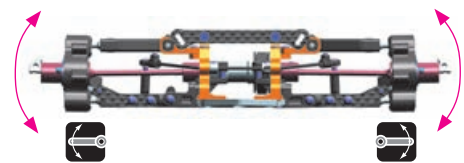


Set the bar into the center, remove the play in the bushings, and tighten the set-screws fully.



If the sides still do not move at the same time, adjust the length of the bar holders.

When the bars are set, verify that both sides move at the same time. If they do, the bars are set up correctly. If not, make sure that both downstops are the same and that the bar wire is flat. If the sides still do not move at the same time, adjust the length of the bar holders.



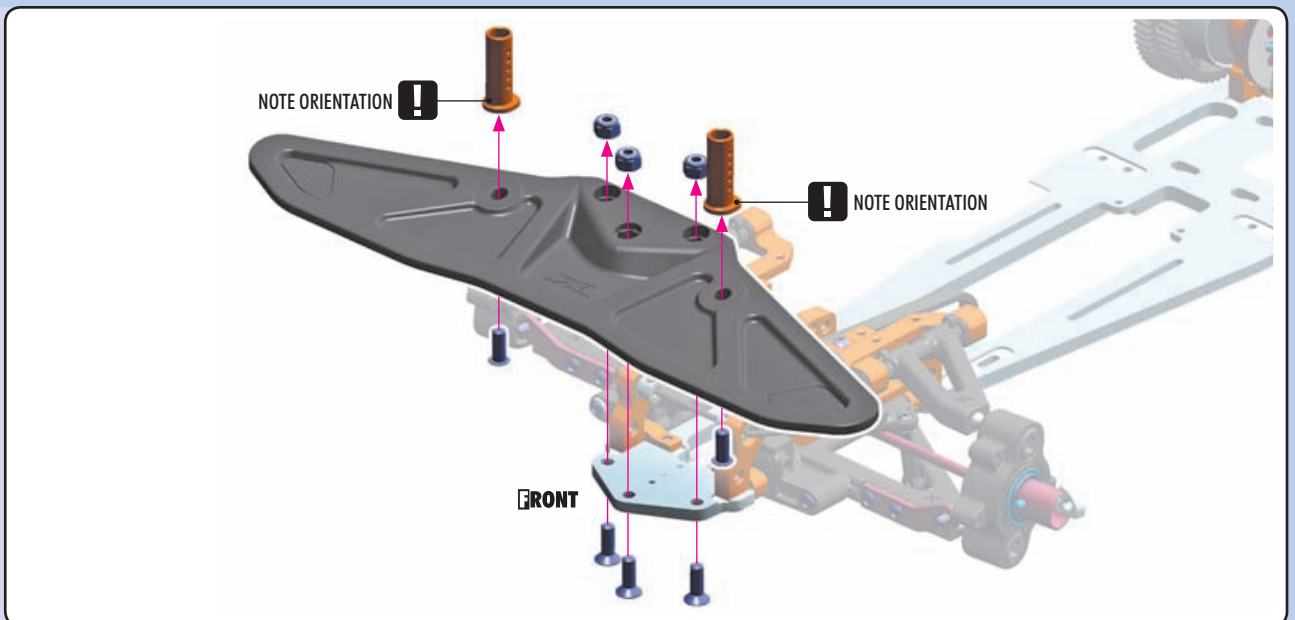
902410
SH M4x10



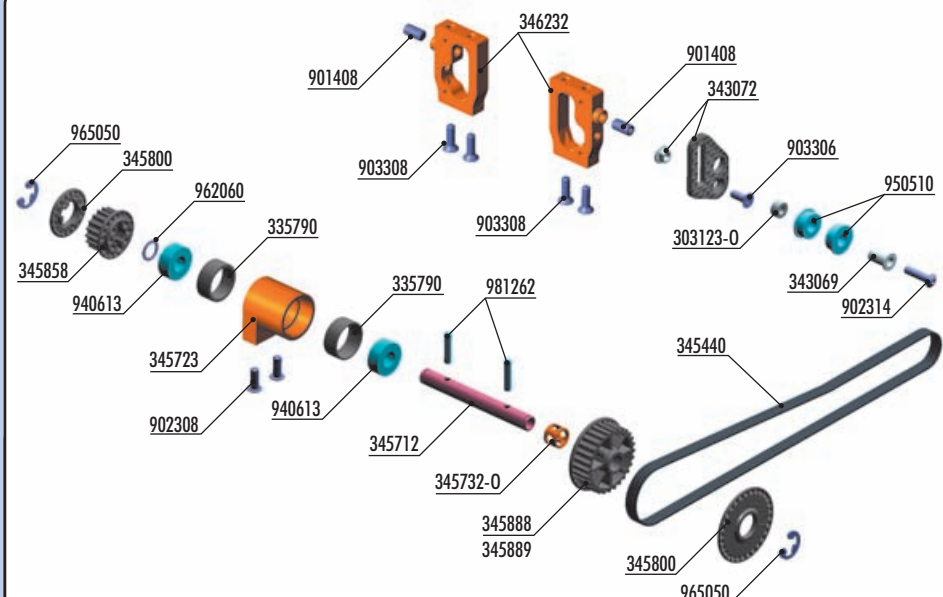
903412
SFH M4x12



960040
N M4



5. FRONT TRANSMISSION



#345441
OPTION LOW-FRICTION KEVLAR® DRIVE BELT
 SIDE 6.0x432mm

OPTION **FRONT BELT PULLEY CENTER**

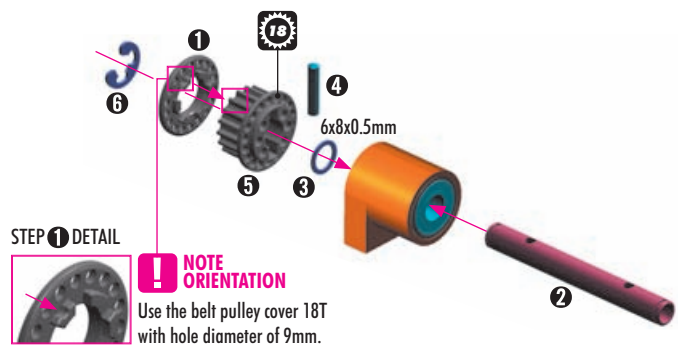
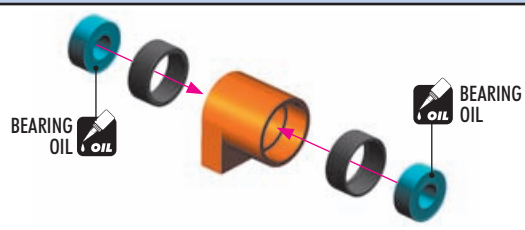
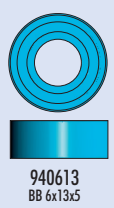
#345858	18T	COMPOSITE	INCLUDED
#345958	18T	ALU	OPTION

OPTION **FRONT SIDE BELT PULLEY**

#345888	28T	COMPOSITE	INCLUDED
#345889	29T	COMPOSITE	INCLUDED
#345988	28T	ALU	OPTION
#345989	29T	ALU	OPTION
#345990	30T	ALU	OPTION

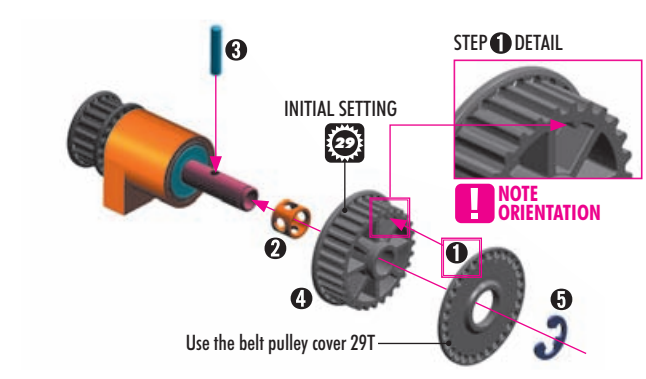
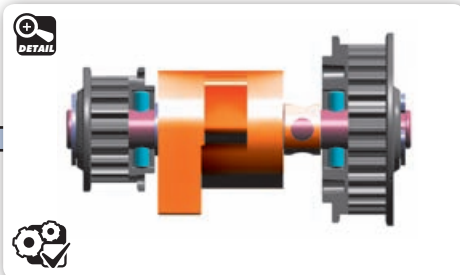
BAG
05

- | | | | |
|----------|---|--------|--|
| 303123-0 | ALU SHIM 3x6x2.0MM - ORANGE (10) | 346232 | ALU RADIO PLATE MOUNT - SWISS 7075 T6 (2) |
| 335790 | COMPOSITE BALL-BEARING BUSHING FOR MIDDLE SHAFT (2) | 901408 | HEX SCREW SB M4x8 (10) |
| 343069 | STEEL BUSHING (2) | 902308 | HEX SCREW SH M3x8 (10) |
| 343072 | BELT TENSIONER SET - STEEL | 902314 | HEX SCREW SH M3x14 (10) |
| 345440 | PUR® REINFORCED DRIVE BELT SIDE 6.0 x 432 MM | 903306 | HEX SCREW SFH M3x6 (10) |
| 345712 | FRONT MIDDLE SHAFT - LIGHTWEIGHT - HUDY SPRING STEEL™ | 903308 | HEX SCREW SFH M3x8 (10) |
| 345723 | ALU FRONT MIDDLE SHAFT HOLDER | 940613 | HIGH-SPEED BALL-BEARING 6x13x5 RUBBER SEALED (2) |
| 345732-0 | ALU MIDDLE SHAFT LOCATING COLLAR - SHORT - LIGHTWEIGHT - ORANGE | 950510 | BALL-BEARING 5x10x4 FLANGED (2) |
| 345800 | COMPOSITE BELT PULLEY COVER SET | 962060 | WASHER S 6x8x0.5 (10) |
| 345858 | COMPOSITE FRONT BELT PULLEY 18T ø6 - CENTER | 965050 | E-CLIP 5 (10) |
| 345888 | COMPOSITE SIDE BELT PULLEY 28T - FRONT | 981262 | PIN 2.5x12 (10) |
| 345889 | COMPOSITE SIDE BELT PULLEY 29T - FRONT | | |



OPTION **FRONT BELT PULLEY CENTER**

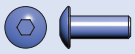
#345858	18T	COMPOSITE	INCLUDED
#345958	18T	ALU	OPTION



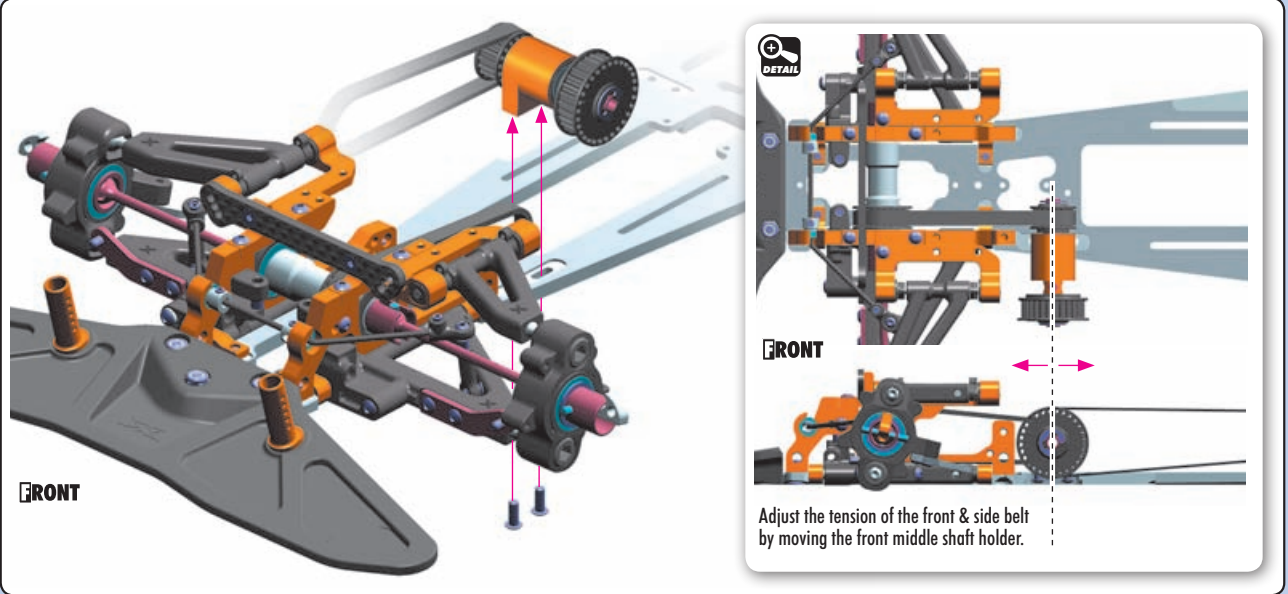
OPTION **FRONT SIDE BELT PULLEY**

#345888	28T	COMPOSITE	INCLUDED
#345889	29T	COMPOSITE	INCLUDED
#345988	28T	ALU	OPTION
#345989	29T	ALU	OPTION
#345990	30T	ALU	OPTION

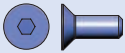
5. FRONT TRANSMISSION



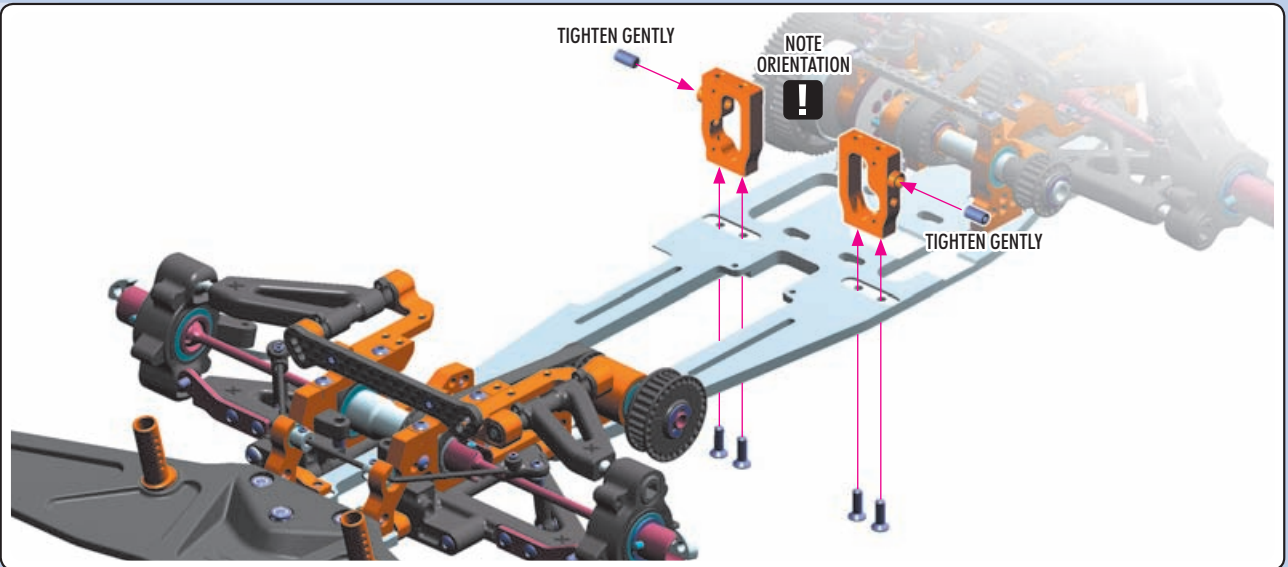
902308
SH M3x8



901408
SB M4x8



903308
SFH M3x8



303123-0
SHIM 3x6x2



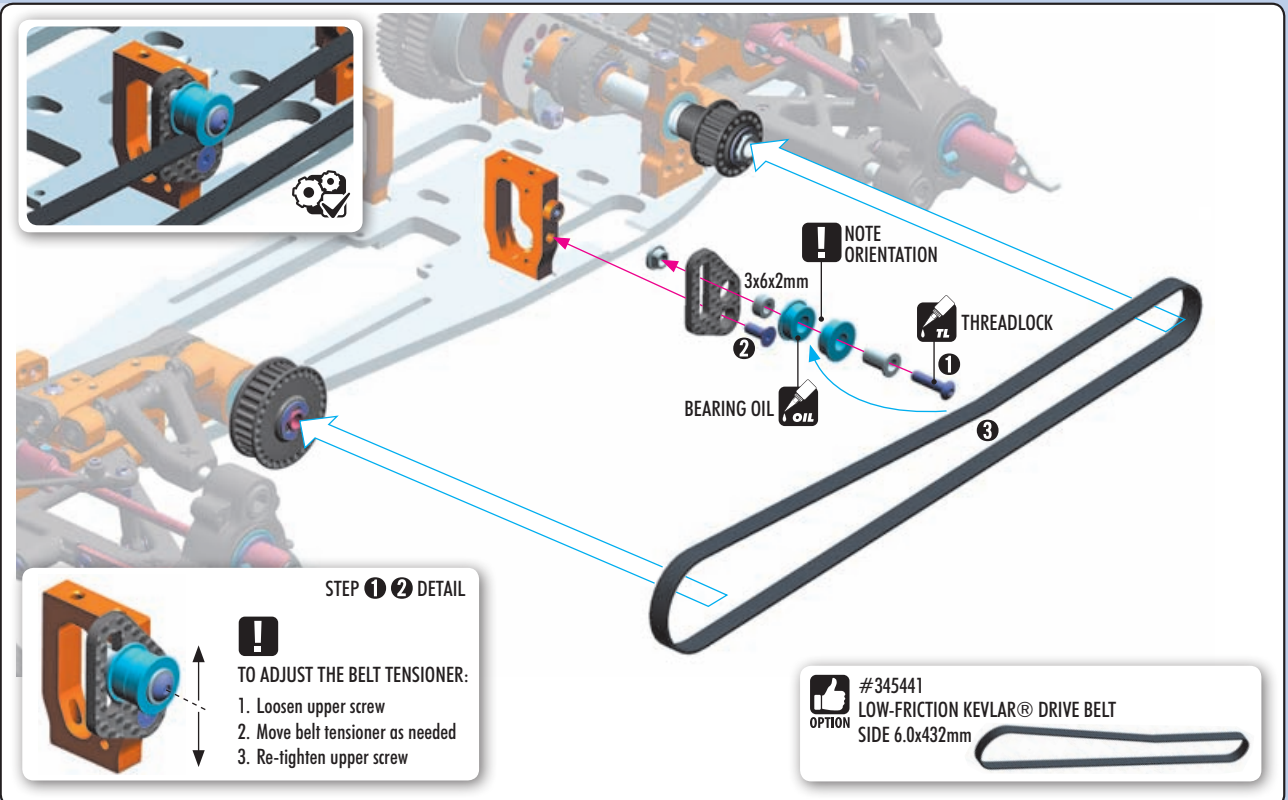
902314
SH M3x14

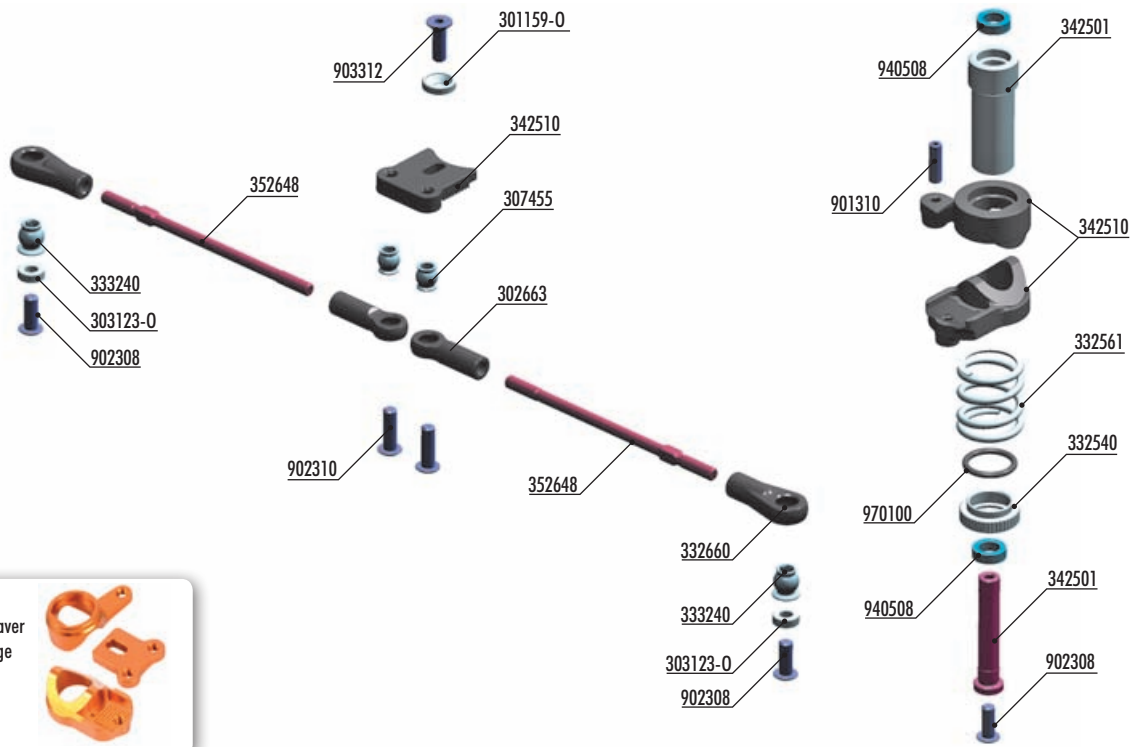


903306
SFH M3x6



950510
BB 5x10x4

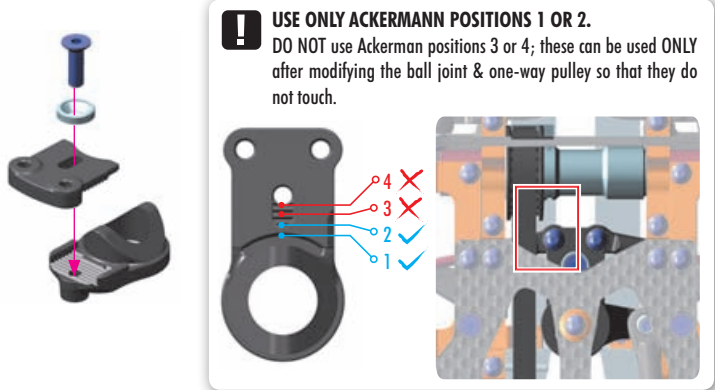




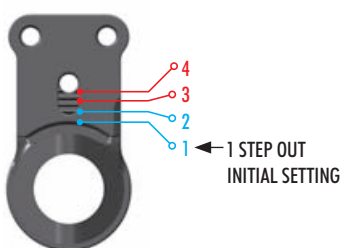
BAG

06

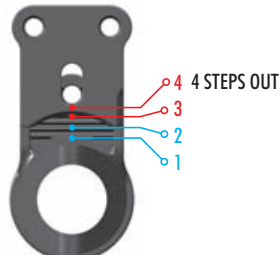
301159-0	ALU COUNTERSUNK SHIM - ORANGE (4)	342510	COMPOSITE SERVO SAVER
302663	COMPOSITE BALL JOINT 4.9MM - OPEN - V2 (8)	352648	ADJ. TURNBUCKLE M3 L/R 62 MM - HUDY SPRING STEEL (2)
303123-0	ALU SHIM 3x6x2.0MM - ORANGE (10)	901310	HEX SCREW SB M3x10 (10)
307455	PIVOT BALL 4.9 MM DOUBLE BEVEL SHOULDERS (10)	902308	HEX SCREW SH M3x8 (10)
332540	ALU SERVO SAVER ADJUSTABLE NUT	902310	HEX SCREW SH M3x10 (10)
332561	SERVO SAVER SPRING C=14	903312	HEX SCREW SFH M3x12 (10)
332660	COMPOSITE STEERING & SERVO BALL JOINT 5.8 MM (4+2)	940508	HIGH-SPEED BALL-BEARING 5x8x2.5 RUBBER SEALED (2)
333240	BALL UNIVERSAL 5.8 MM HEX (4)	970100	O-RING 10 x 1.5 (10)
342501	SERVO SAVER COMPLETE SET		



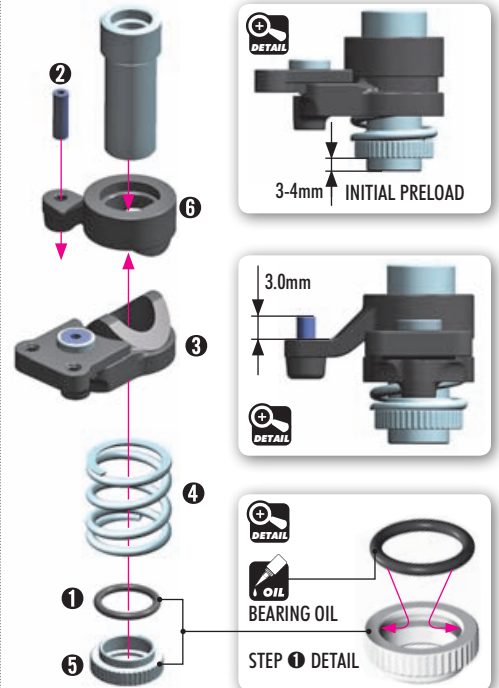
THERE ARE 4 DIFFERENT ACKERMANN SETTINGS POSSIBLE WITH THE QUICK-SAVER™
For initial Ackermann setting, use Step 1 (2nd shortest length).



STEP 1 gives the most Ackermann and makes the car understeer more into & out of corners. It offers good cornering speed and creates very good traction mainly in chicanes, because the car will be more stable. Recommended for tracks with long sweepers where a lot of cornering speed is needed.



STEP 4 gives the least Ackermann and creates a lot of steering into & out of corners. However, the car is more difficult to drive in chicanes because there is less traction and stability. Recommended for tracks where a lot of in-corner steering is needed.



6. STEERING

2x

TIP Install the pivot balls with Professional Multi Tool (HUDY #183011)

TIP BALL JOINT WRENCH (HUDY #181110)

NOTE ORIENTATION

LEFT 42.5mm

RIGHT 42.5mm

NOTE ORIENTATION

NOTE ORIENTATION

902310
SH M3x10

BEARING WITH BLUE COVERS

BEARING OIL

902308
SH M3x8

940508
BB 5x8x2.5

1

2

2x

303123-0
SHIM 3x6x2

902308
SH M3x8

FRONT

INITIAL SETTING

3x6x2mm
By adding shims, the car becomes less responsive, but easier to drive.

7. FUEL TANK & ELECTRONICS



303144-0
SHM 3x5x4



902306
SH M3x6



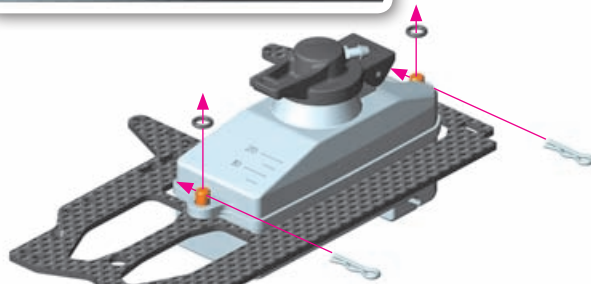
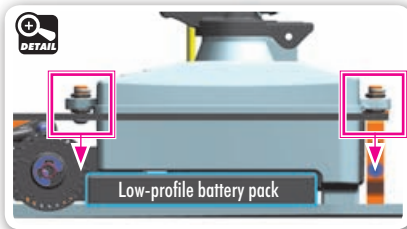
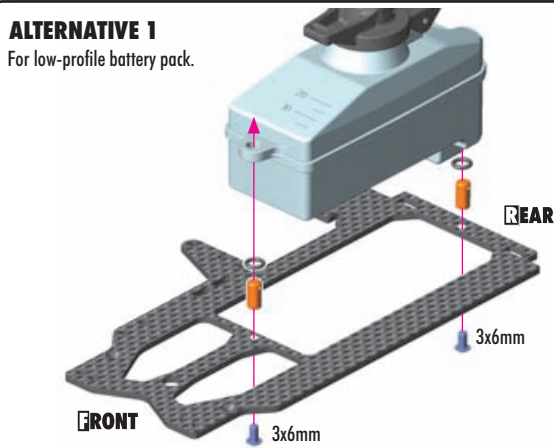
902310
SH M3x10



970045
0.4.5x1.5

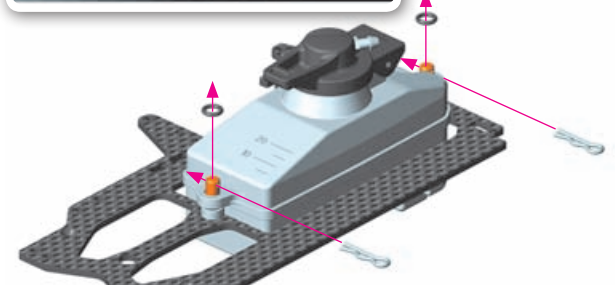
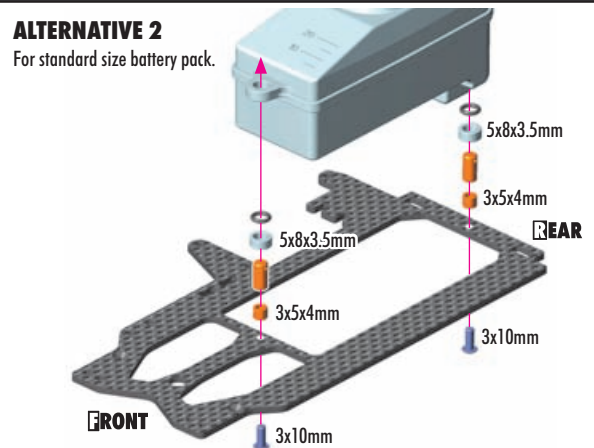
ALTERNATIVE 1

For low-profile battery pack.

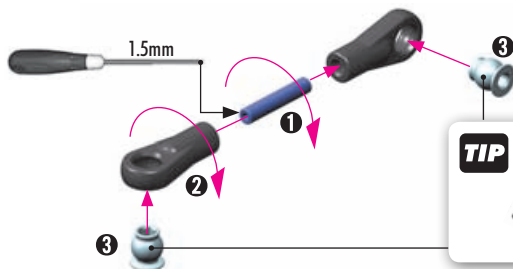


ALTERNATIVE 2

For standard size battery pack.



901316
SB M3x16



TIP Install the pivot balls with Professional Multi Tool (HUDY #183011)



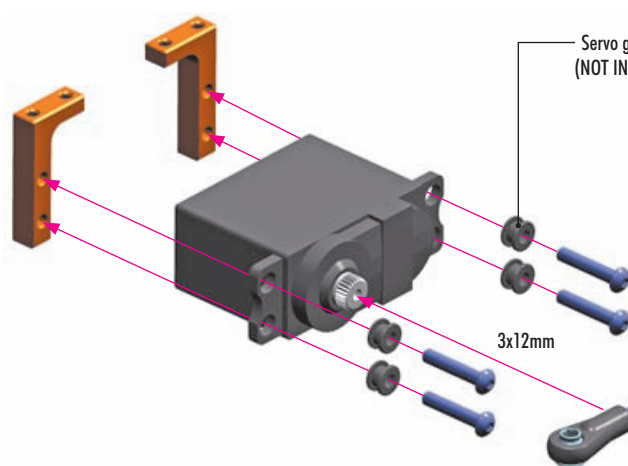
approx. 6.0mm
Note the 90° angle difference between the ball joints



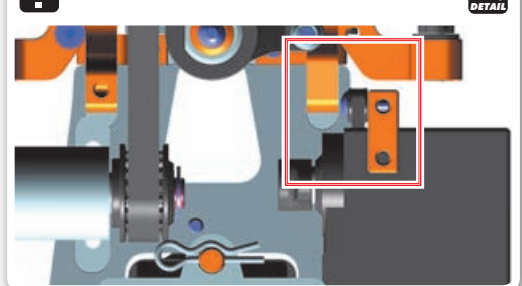
902308
SH M3x8



902312
SH M3x12



! Make sure that servo does not touch the bulkhead.



TL THREAD LOCK

3x8mm

Servo screw
(NOT INCLUDED)



HUDY ALU SERVO HORNS

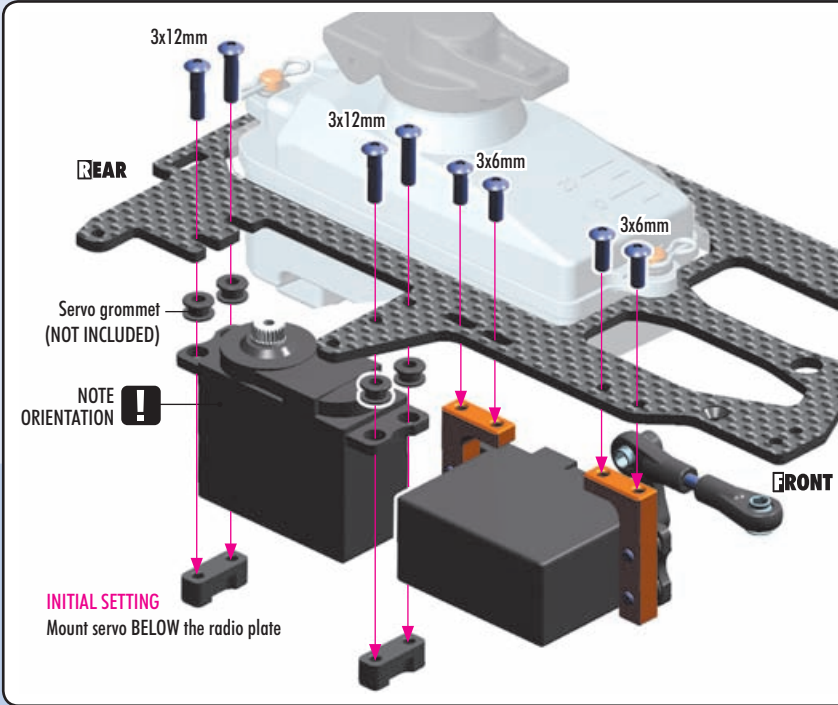
#293491	23T KO Propo, Airtronics, JR, Sanwa
#293492	24T Hitec
#293493	25T Futaba

Use alum servo horns for more in-camber steering and better steering response.

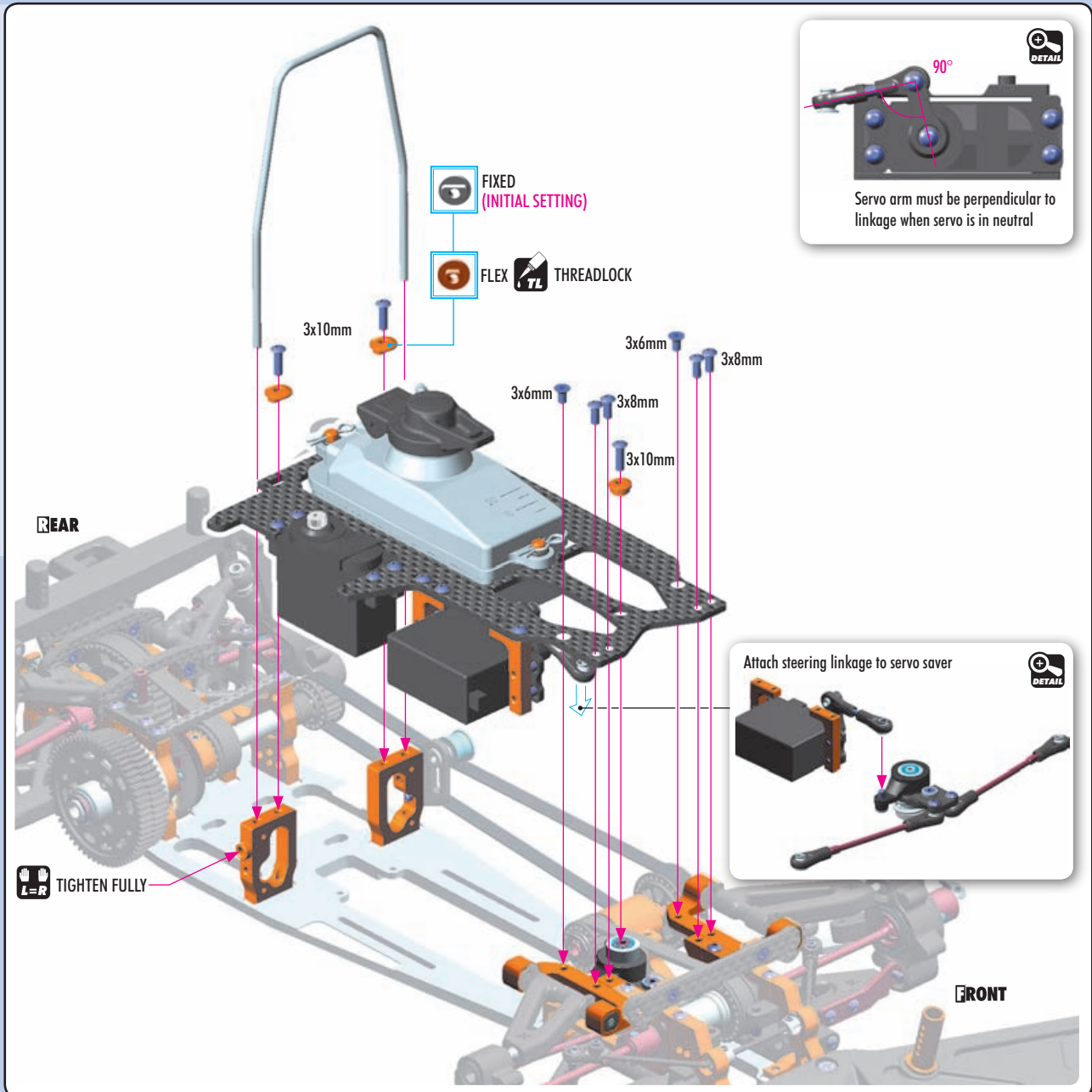
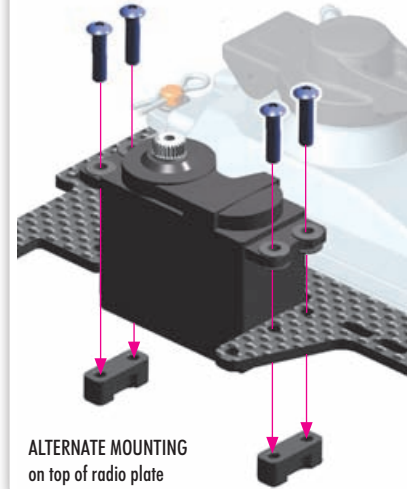


Use appropriate servo arm:
K - (23T) = KO, JR, Airtronics
H - (24T) = Futaba,
F - (25T) = Hitec

7. FUEL TANK & ELECTRONICS



NOTE When big servo and/or thick servo grommets are used, the servo can touch the chassis if is mounted from the bottom of the radio plate. In this case, mount servo from the top of the radio plate.



7. FUEL TANK & ELECTRONICS



902308
SH M3x8



907206
2x6

REAR

Antenna Tube

3x8mm

2x6mm

3x8mm

Receiver (NOT INCLUDED)

3x8mm

3x8mm

DETAIL

If the receiver box has 2 different-size openings for cable entry (narrow and wider), cut away the tab for the appropriate opening to allow the cables to fit properly.

Route servo and transponder leads into box and seal with silicone sealant.

Use an appropriate receiver battery pack

Battery (NOT INCLUDED)

Use tape to mount the receiver battery pack to the lower holder (not included).

BATTERY PLATE			
OPTION	#336151	COMPOSITE	INCLUDED
	#336155	GRAPHITE	OPTION
	#346157	BRASS (100g)	OPTION

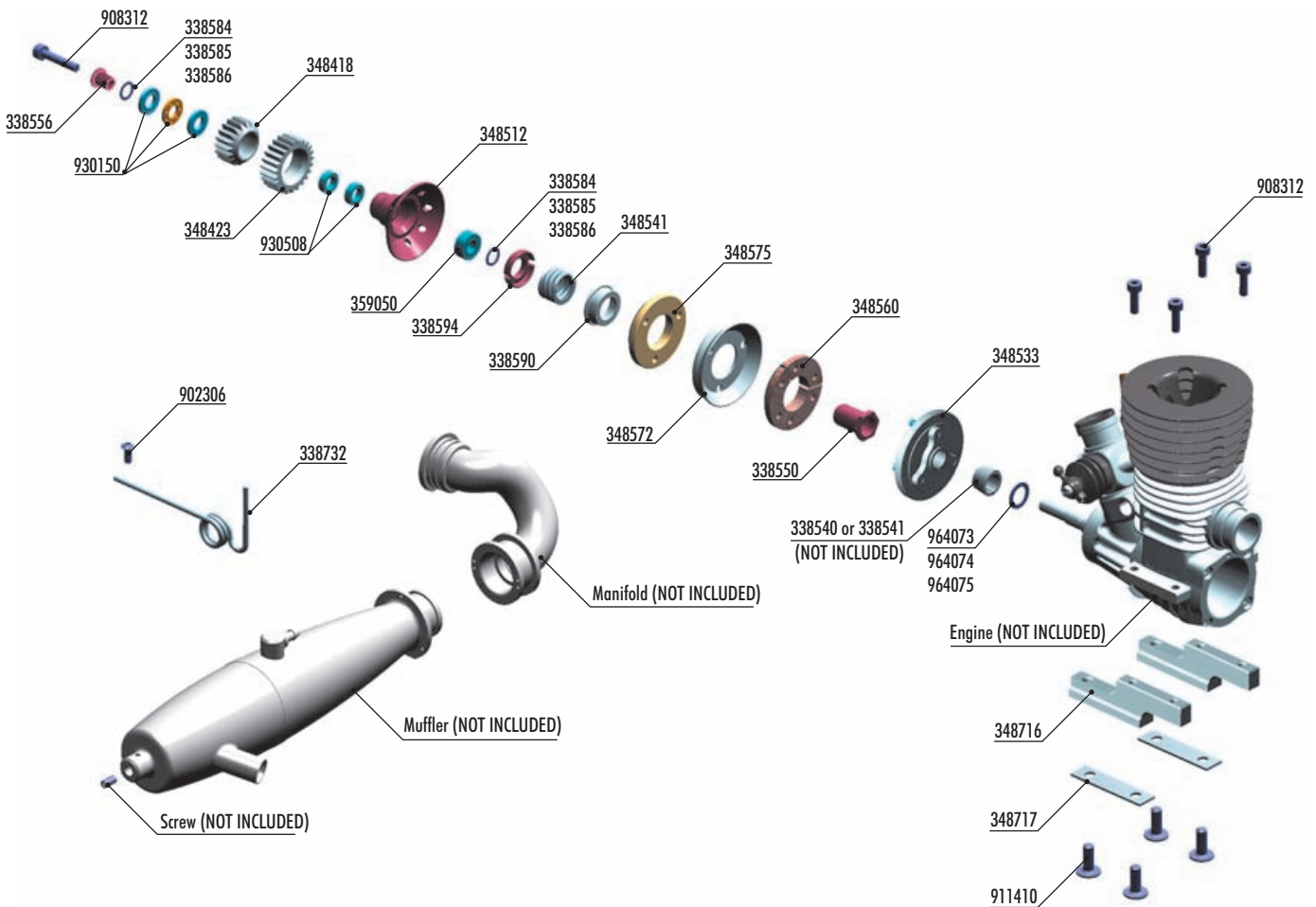


903305
SFH M3x5

FRONT

REAR

8. ENGINE & CLUTCH



OPTION	1ST XCA HARDCOATED PINION GEAR		
#348417	17T (1st)	OPTION	
#348418	18T (1st)	INCLUDED	
#348419	19T (1st)	OPTION	

OPTION	2ST XCA HARDCOATED PINION GEAR		
#348422	22T (2nd)	OPTION	
#348423	23T (2nd)	INCLUDED	
#348424	24T (2nd)	OPTION	
#348425	25T (2nd)	OPTION	



BAG



338540	FLYWHEEL COLLAR 7MM - NOVAROSSÌ (OPTION)
338541	FLYWHEEL COLLAR 6MM - PICCO (OPTION)
338550	FLYWHEEL NUT - HUDY SPRING STEEL™
338556	THRUSTBEARING COLLAR - HUDY SPRING STEEL™
338584	SHIM 5x7x0.2 (10)
338585	SHIM 5x7x0.3 (10)
338586	SHIM 5x7x0.5 (10)
338590	CLUTCH SPRING CUP - ALU 7075 T6
338594	CLUTCH PRELOAD ADJ. NUT - HUDY SPRING STEEL™
338732	EXHAUST MOUNTING WIRE - EXTRA-LONG
348418	XCA ALU PINION GEAR 18T (1ST) - 7075 T6 - HARDCOATED - LARGE
348423	XCA ALU PINION GEAR 23T (2ND) - 7075 T6 - HARDCOATED - LARGE
348502	XCA (XRAY CENTRIFUGAL-AXIAL) CLUTCH SET - REVERSE - SMALL
348512	XCA CLUTCHBELL FOR SMALLER PINION GEARS - HUDY STEEL
348533	FLYWHEEL - FLAT - HARDCOATED
348541	CLUTCH SPRING - ULTRA-STABLE

348560	CLUTCH FLYWEIGHT SET
348572	ALU CLUTCH DISK - CONICAL - SWISS 7075 T6
348575	CLUTCH SHOE - YELLOW
348716	ALU ENGINE MOUNT (2)
348717	STAINLESS STEEL ENGINE MOUNT SHIM (2)
359050	CLUTCH BELL BALL-BEARING 5x10x4 (2)
902306	HEX SCREW SH M3x6 (10)
908312	HEX SCREW SOCKET HEAD CAP M3x12 (10)
911410	HEX SCREW FLANGED SH M4x10 (10)
930150	CARBIDE AXIAL THRUSTBEARING F5-10 5x10x4
930508	BALL-BEARING 5x8x2.5 (2)
964073	WASHER S 7x10x0.2 (10)
964074	WASHER S 7x10x0.3 (10)
964075	WASHER S 7x10x0.5 (10)

8. ENGINE & CLUTCH



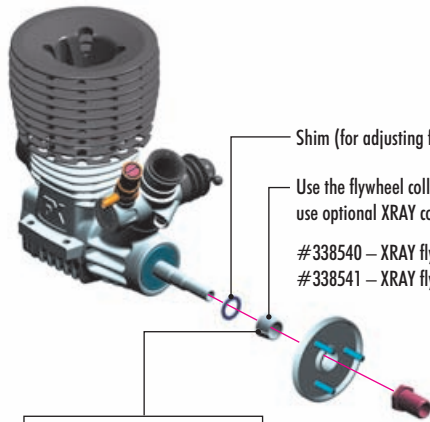
964073
S7x10x0.2



964074
S7x10x0.3



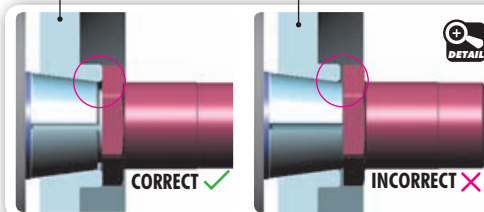
964075
S7x10x0.5



Shim (for adjusting flywheel distance)

Use the flywheel collar that comes with your engine, or use optional XRAY collars:

#338540 – XRAY flywheel collar for Ø6mm crankshafts
#338541 – XRAY flywheel collar for Ø7mm crankshafts

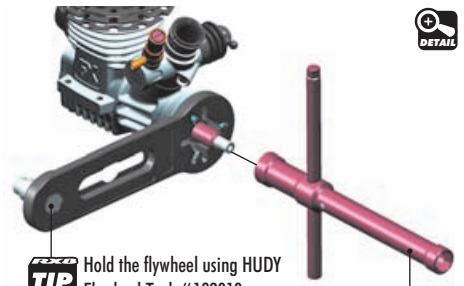


CORRECT ✓

INCORRECT ✗

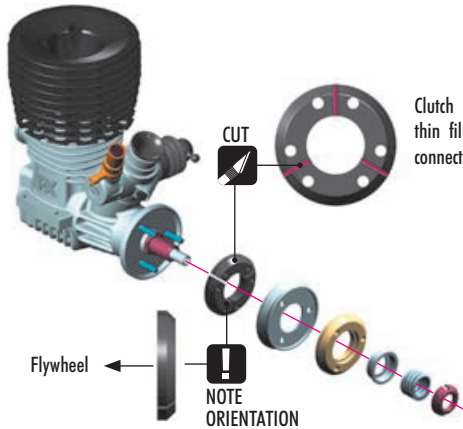
The flywheel collar must stay inside the flywheel.

If the flywheel collar is too long – if it is flush with the flywheel or protrudes slightly – remove a small amount of material from the end, or use an XRAY collar.



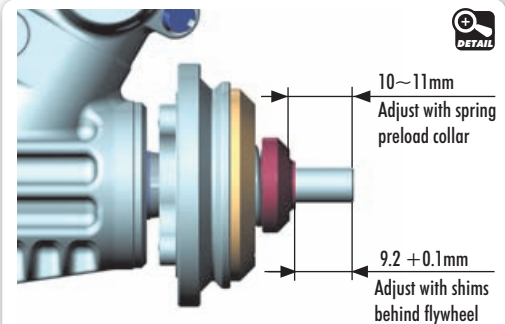
TIP Hold the flywheel using HUDY Flywheel Tool #182010

Tighten the clutch nut using HUDY tool #107581



Clutch weights are machined as 1 piece, with thin film connecting the pieces together. Cut the connecting film to separate the 3 shoes.

NOTE ORIENTATION



10~11mm
Adjust with spring preload collar

9.2 + 0.1mm
Adjust with shims behind flywheel



INITIAL POSITION FOR FLYWHEEL PINS



348576
#CLUTCH SHOE - RED



TECH TIP FOR RX8 CLUTCH SHOE

To ensure that the RX8 clutch shoe works properly and for a long time, it is very important to run in the clutch shoe.

Please follow these run-in steps to help ensure proper clutch operation:



TECH TIP FOR EXTRA BOTTOM-END POWER

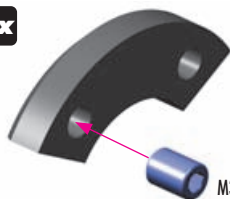
For extra bottom-end power, thread a M3x4 set-screw (#901304) into each clutch flyweight as shown. The set-screw will add more weight to the end of the flyweight which will cause the flyweight to open harder, giving more bottom-end power. This is recommended for high-traction tracks where bottom-end power is required.

IMPORTANT!

Install set-screw into free (non-pivot) end of flyweight.

After inserting the set-screw, some excess material may come out of the hole. REMOVE this excess material with a knife.

3x



M3x4
#901304 NOT INCLUDED

CUTAWAY VIEW

1 Install clutch according to manual.

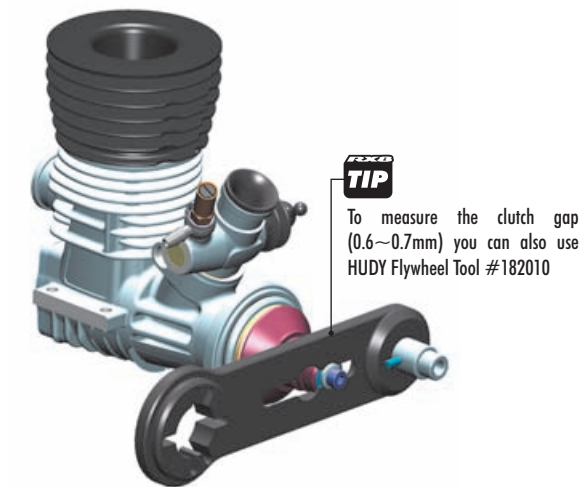
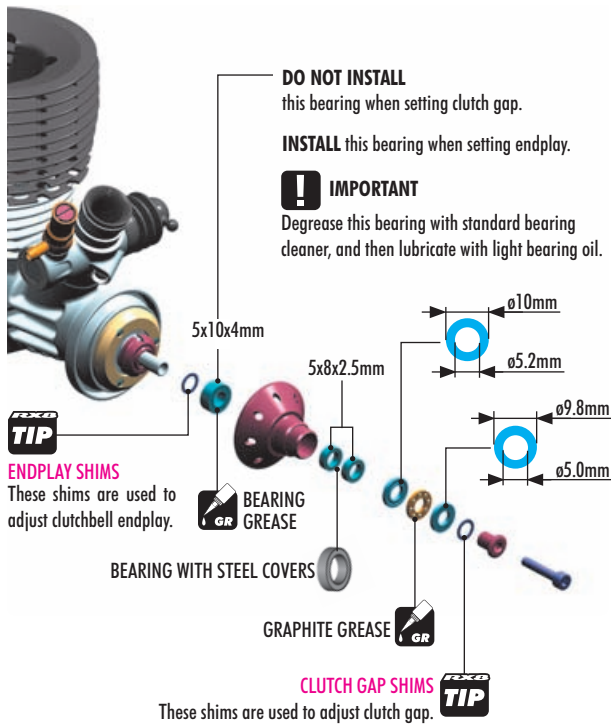
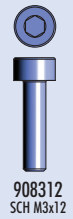
2 Check that the spring preload is not too much; for run-in process use less preload.

3 When you start the engine, the clutch should start engage under low RPM. If the clutch engages only under high RPM, stop the engine and loosen the spring preload collar. Repeat until the clutch engages under low RPM.

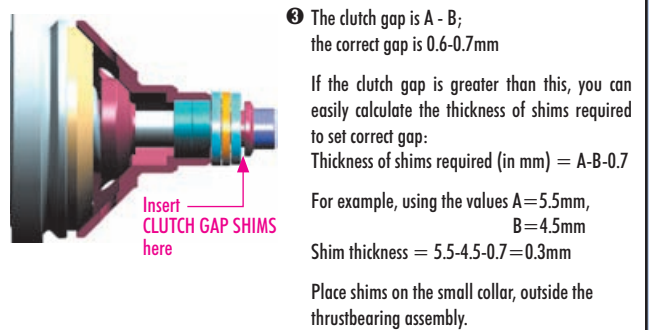
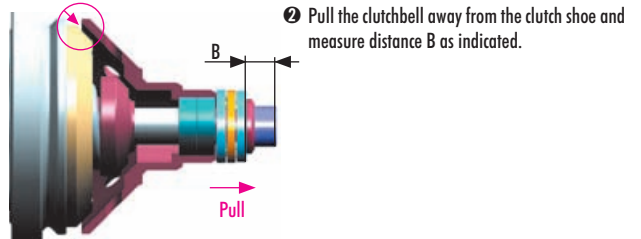
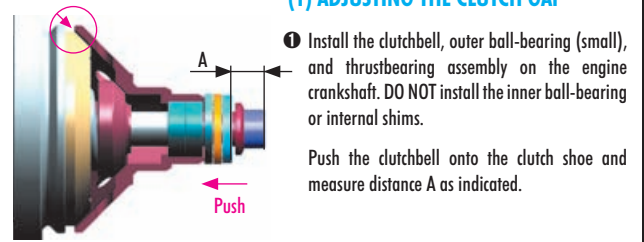
4 Run in the clutch shoe on the track, or on the starter box if you have only limited time. (We recommend running it in on the track.)

5 Run in the clutch shoe for 1 tank of fuel using a soft preload setting, and then after that slightly tighten the spring preload. DO NOT run in the clutch shoe under high RPM.

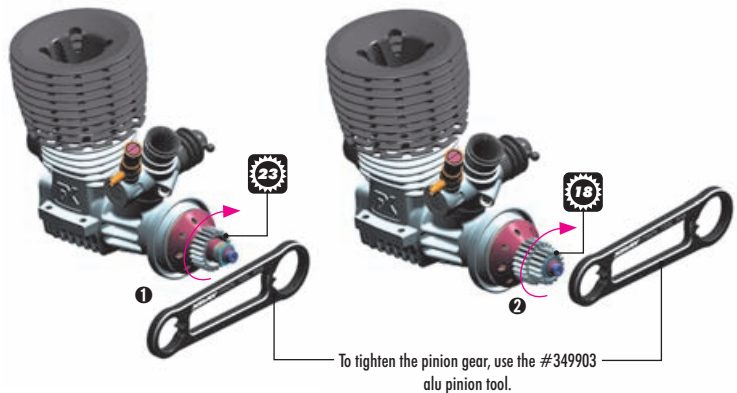
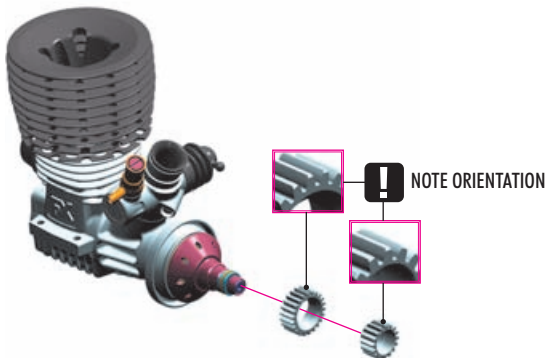
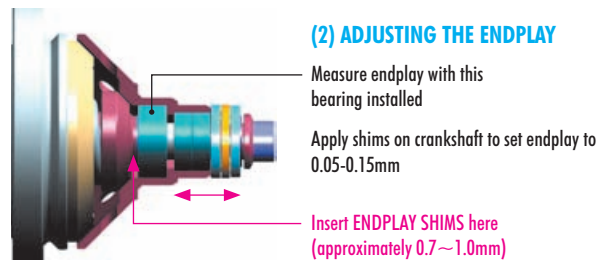
6 Continue this process until the clutch shoe is properly run in; this will be indicated by a dark and glossy surface colour on the top of the clutch shoe.



(1) ADJUSTING THE CLUTCH GAP



(2) ADJUSTING THE ENDPLAY



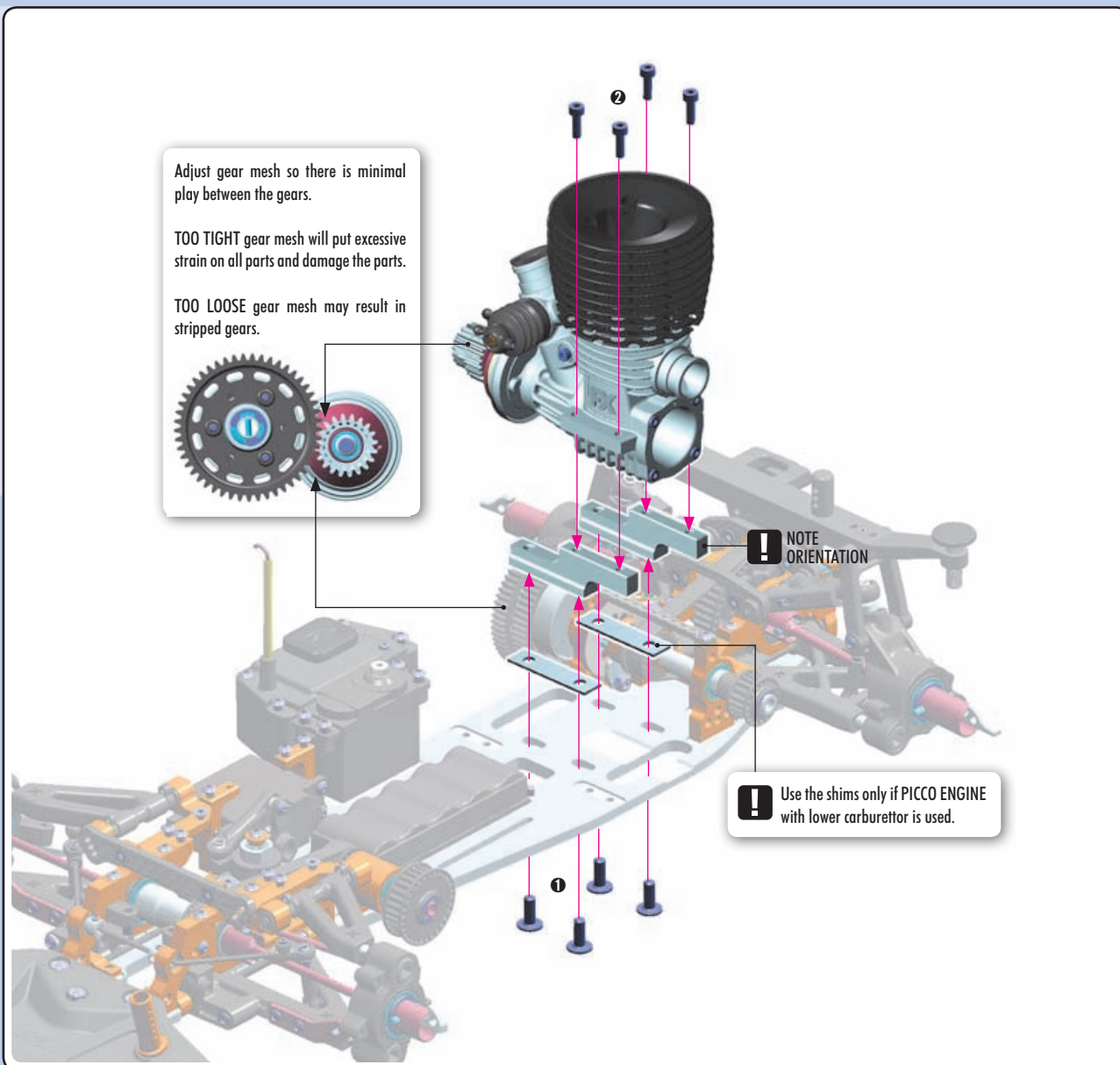
8. ENGINE & CLUTCH



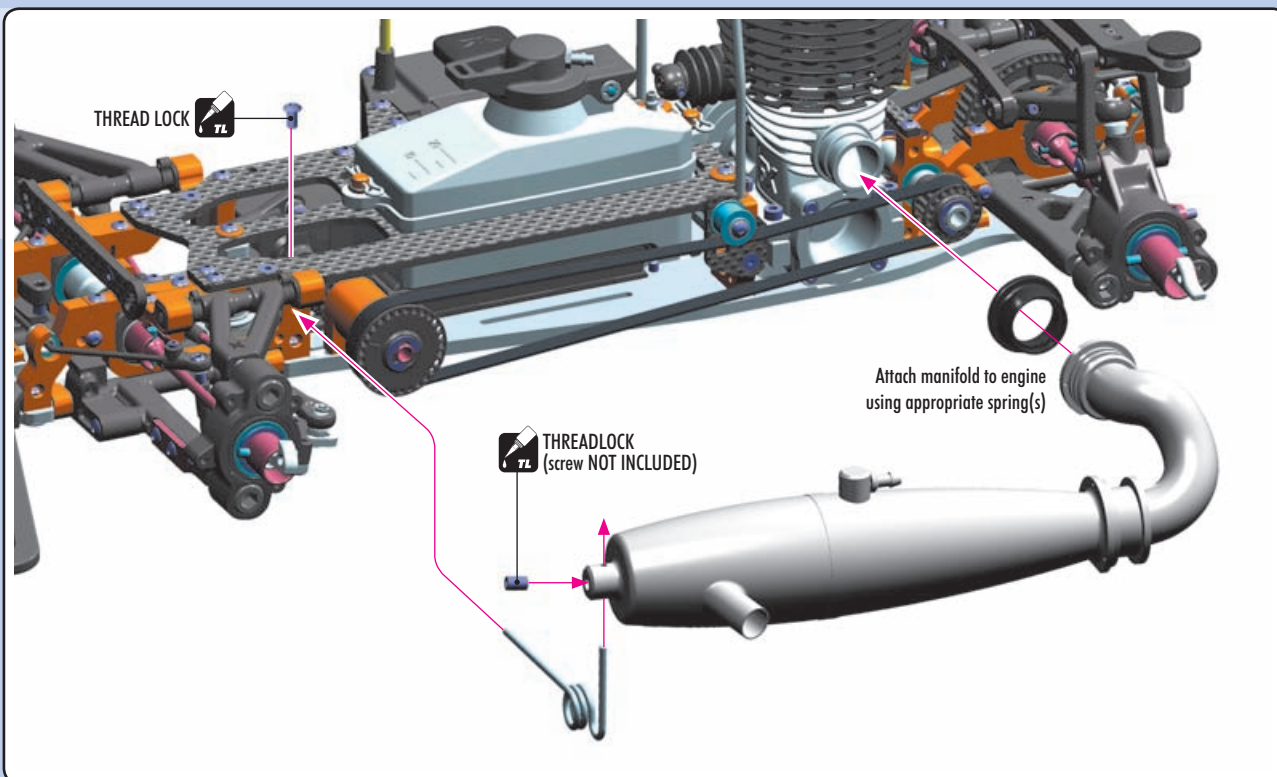
908312
SCH M3x12



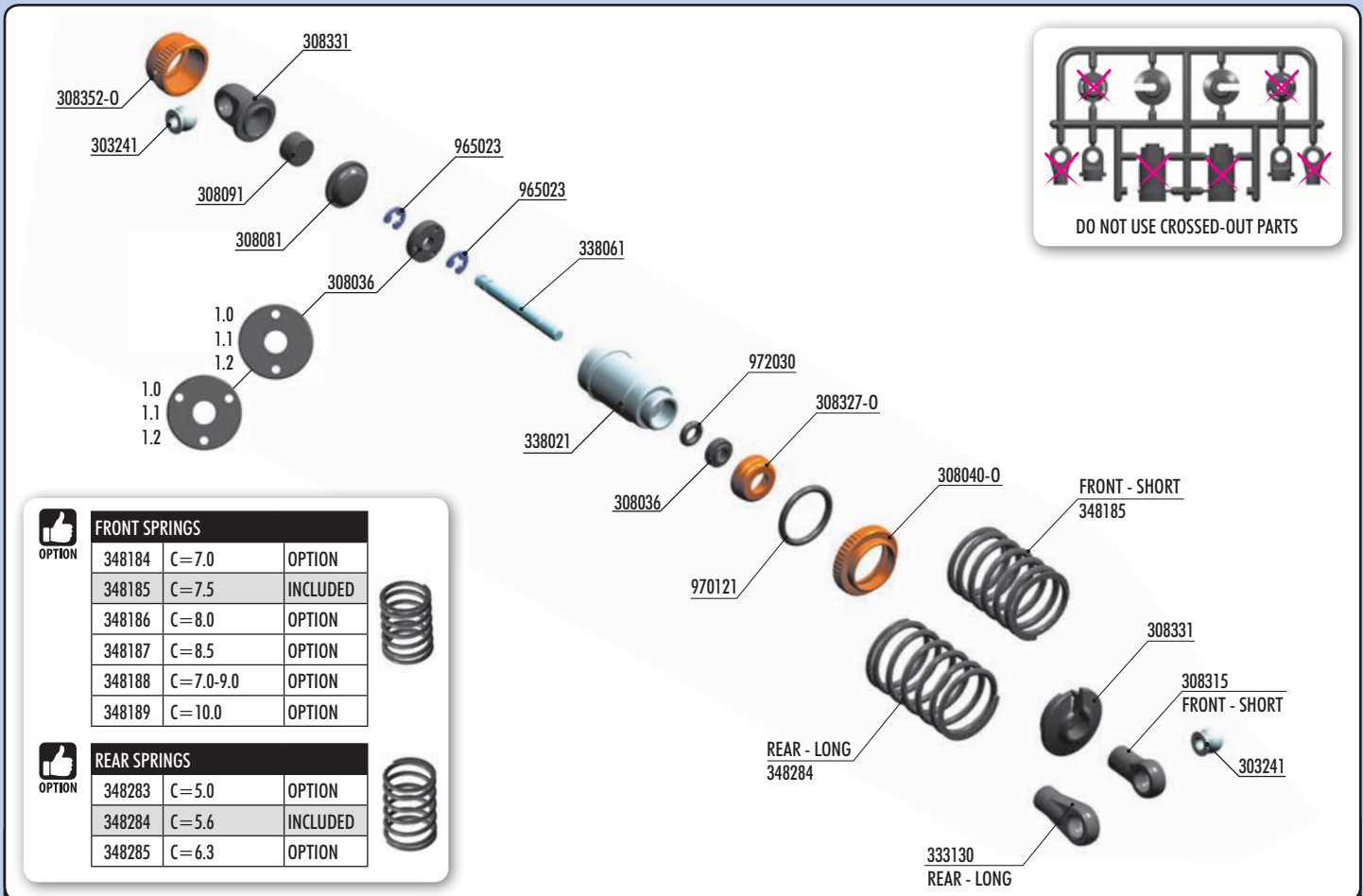
911410
SHF M4x10



902306
SH M3x6



9. SHOCK ABSORBERS

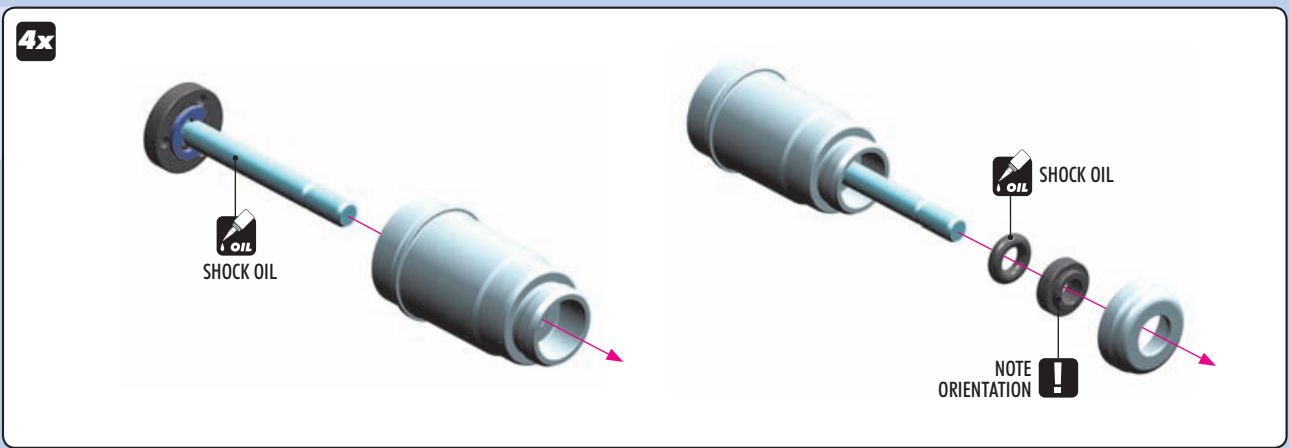
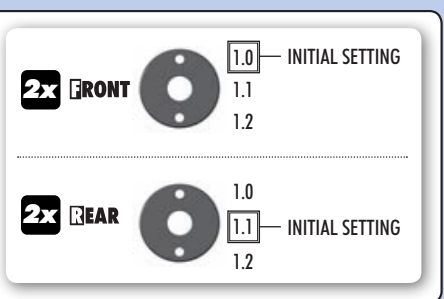
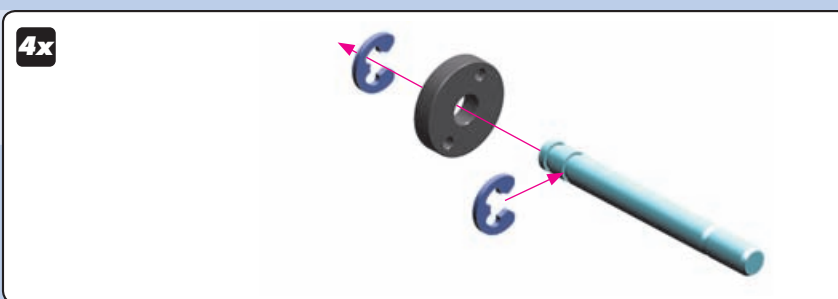


FRONT SPRINGS		
348184	C=7.0	OPTION
348185	C=7.5	INCLUDED
348186	C=8.0	OPTION
348187	C=8.5	OPTION
348188	C=7.0-9.0	OPTION
348189	C=10.0	OPTION

REAR SPRINGS		
348283	C=5.0	OPTION
348284	C=5.6	INCLUDED
348285	C=6.3	OPTION



- 303241 BALL UNIVERSAL 5.8 MM HEX (4)
- 308036 COMPOSITE NON-ADJUSTABLE PISTONS - DELRIN™ - V3
- 308040-0 SHOCK ADJ. NUT ALU + O-RING - ORANGE (4)
- 308081 SHOCK ABSORBER MEMBRANE - LOW (4)
- 308091 SHOCK FOAM INSERTS - LOW (4)
- 308315 COMPOSITE SHOCK BALL JOINT - LONG (4)
- 308327-0 ALU CAP FOR XRAY SHOCK BODY - ORANGE (2)
- 308331 COMPOSITE FRAME SHOCK PARTS 4-STEP - SHORT
- 308352-0 ALU SHOCK CAP-NUT WITH HOLE - ORANGE (2)
- 333130 COMPOSITE REAR UPPER CAMBER LINK BALL JOINT 5.8 MM (4)
- 338001-0 ALU SHOCK ABSORBER-SET - ORANGE (2)
- 338021 ALU SHOCK BODY (2)
- 338061 HARDENED SHOCK SHAFT (2)
- 348185 XRAY SPRING-SET C=7.5 - FRONT (2)
- 348284 XRAY SPRING-SET C=5.6 - REAR (2)
- 965023 E-CLIP 2.3 (10)
- 970121 O-RING 12.1x1.6 (10)
- 972030 SILICONE O-RING 3x2 (10)



9. SHOCK ABSORBERS



4x

SHOCK OIL

1

2

DETAIL

CROSSED-OUT
Be careful not to cross-thread the collar on the shock body.

INCORRECT ✗

CORRECT ✓

Install the ball joint with Professional Multi Tool (HUDY #183011)

FRONT SHORT 2x

REAR LONG 2x

1~2mm

DO NOT USE CROSSED-OUT PARTS

HINT: Pre-thread the ball joint using an M3 screw.

WARNING! Be careful not to pre-thread too far, since the ball joint may split or the plastic threads may strip out

4x

SHOCK FILLING

- 1 Fully extend the piston rod so the piston is at the bottom of the shock body.
- 2 Hold the shock upright and slightly overfill the shock body with shock oil.
- 3 Let the oil settle and allow air bubbles to rise to the top. Slowly move the piston up and down until no more air bubbles appear. Add shock oil as necessary.
- 4 Pull the piston rod most of the way out of the shock body. Let the shock rest for 5 minutes to allow the air bubbles to escape.

SHOCK OIL

4x

CUTAWAY VIEW

After you insert the membrane ensure that it sits properly all around the alu cup properly.

4x

When installing the shock cap assembly on the shock body, some oil will leak out... this is normal.

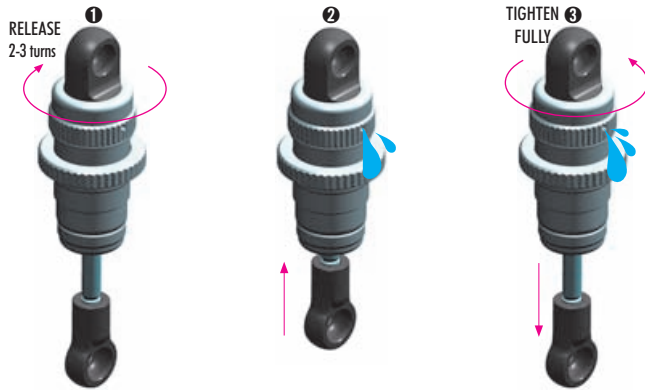
Fully tighten the cap and clean off any excess oil.

After the shock is assembled, the shock rod will push itself out of the shock body fairly quickly.

Follow the next procedure to adjust the rebound.

9. SHOCK ABSORBERS

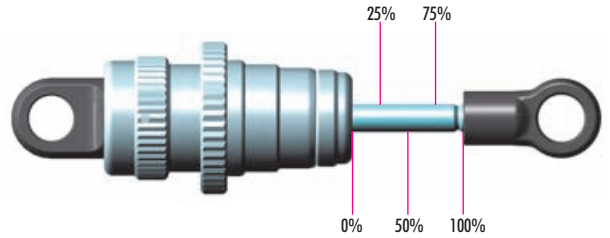
4x



REBOUND ADJUSTMENT

AFTER THE SHOCK IS ASSEMBLED YOU HAVE TO SET THE SHOCK REBOUND.

- ❶ Release the shock cap by 2-3 turns.
- ❷ Push the shock shaft fully up. For the first time the extra oil will release through the hole in the alu cap-nut.
- ❸ Tighten the shock cap. When tightening the shock cap, extra oil will again release through the hole in the alu cap - nut. When tightening, the shock shaft will push out from the shock body.



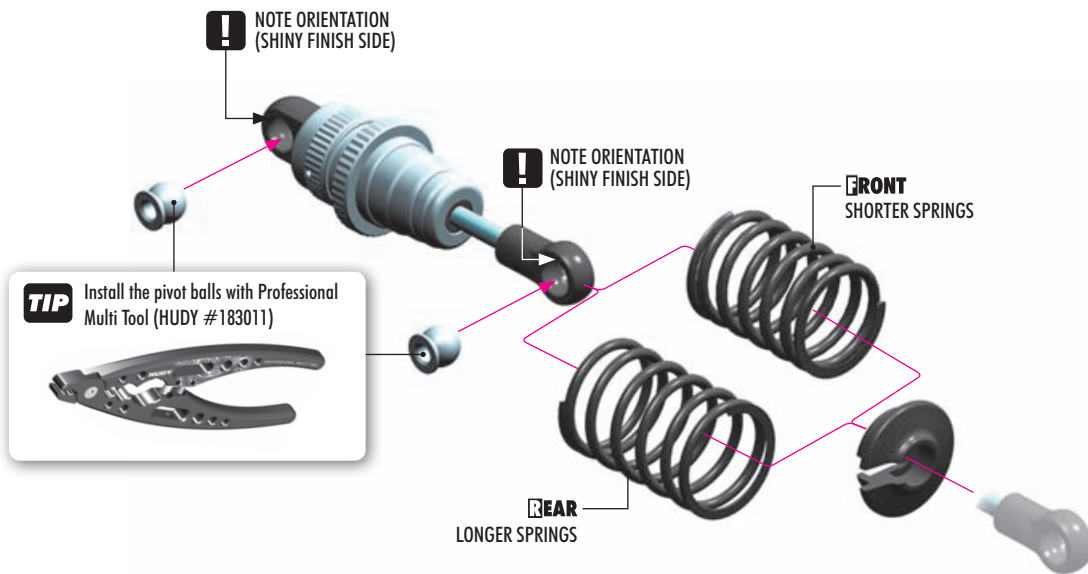
REBOUND CHECK

It is very important to push the shock shaft into the shock body slowly otherwise air can come into the shock body which would create bubbles.

- 100% rebound - repeat step 2 and 3 two - three times
- 75% rebound - repeat step 2 and 3 until the shock shaft will push out 75% of its length
- 50% rebound - repeat step 2 and 3 until the shock shaft will push out 50% of its length
- 25% rebound - repeat step 2 and 3 until the shock shaft will push out 25% of its length
- 0% rebound - repeat step 2 and 3 until the shock shaft will push out 0% of its length

If the shock shaft does not rebound enough, you will have to refill the shock with shock oil, and then repeat the bleeding and rebound adjustment procedure.

4x



TIP Install the pivot balls with Professional Multi Tool (HUDY #183011)



SHOCK SPRING RETAINING COLLAR

#308031	ALU - SILVER	OPTION
#308031-O	ALU - ORANGE	OPTION
#308031-K	ALU - BLACK	OPTION
#308331	COMPOSITE	INCLUDED

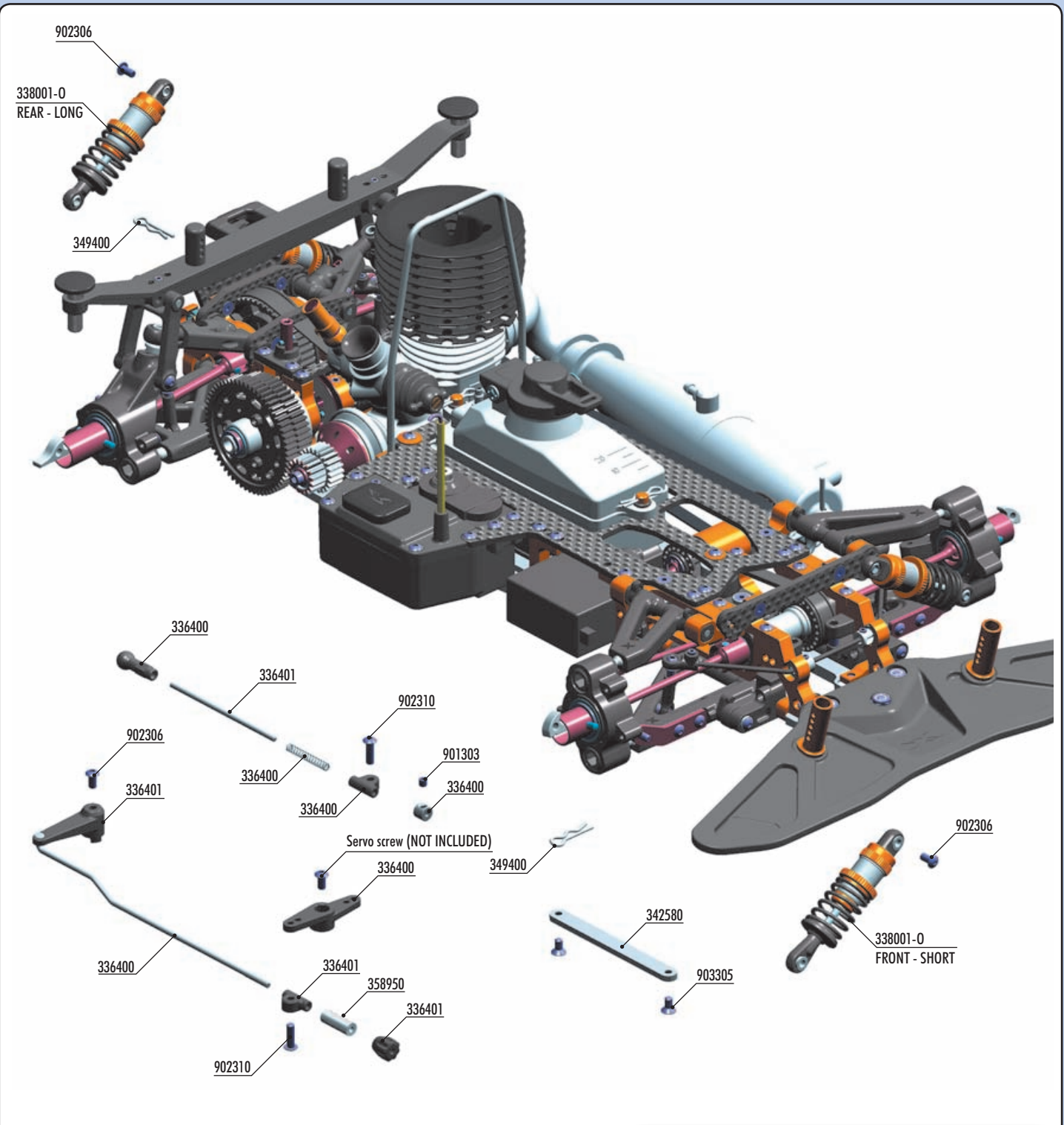


SHOCK LENGTH ADJUSTMENT

It is VERY important that all shocks are equal length.


Fully extend the shock absorber and measure the end-to-end length; we recommend using digital calipers to give an accurate measurement. If a shock absorber is shorter or longer than others, adjust the shock length by tightening or loosening the ball joint on the shock rod.

10. FINAL ASSEMBLY



OPTION **HUDY ALU SERVO HORNS**

#293494	23T KO Propo, Airtronics, JR, Sanwa
#293495	24T Hitec
#293496	25T Futaba



OPTION #334061-0
ALU BRAKE POST ARM - SWISS 7075 T6 - ORANGE

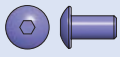


BAG
10

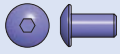
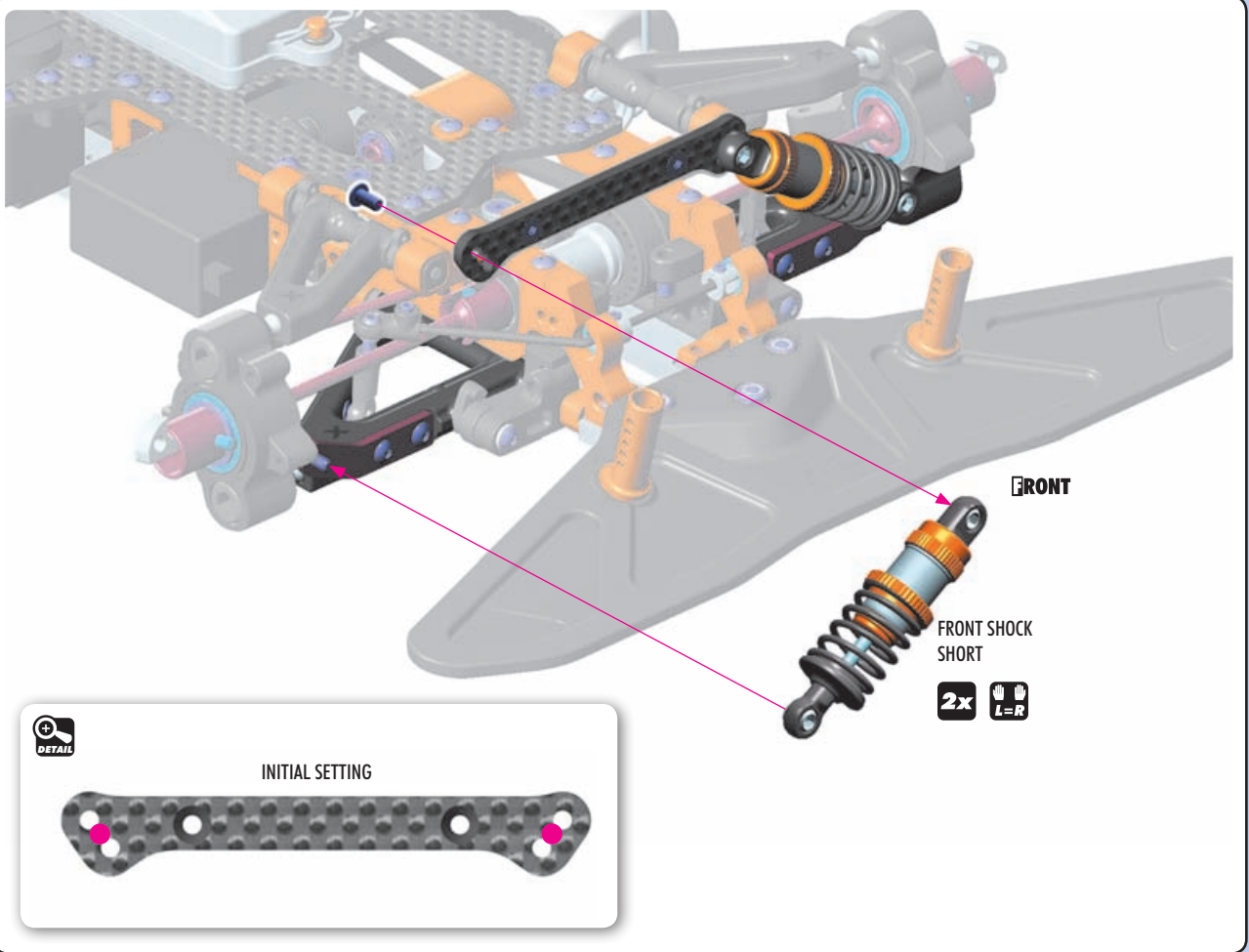
- 336400 THROTTLE LINKAGE SET
- 336401 BRAKE LINKAGE SET
- 338001-0 ALU SHOCK ABSORBER-SET - ORANGE (2)
- 342580 ALU FRONT CHASSIS BRACE
- 349400 BODY CLIP (10)
- 358950 SILICONE TUBING 1M (2.4 x 5.5MM)

- 901303 HEX SCREW SB M3x3 (10)
- 902306 HEX SCREW SH M3x6 (10)
- 902310 HEX SCREW SH M3x10 (10)
- 903305 HEX SCREW SFH M3x5 (10)

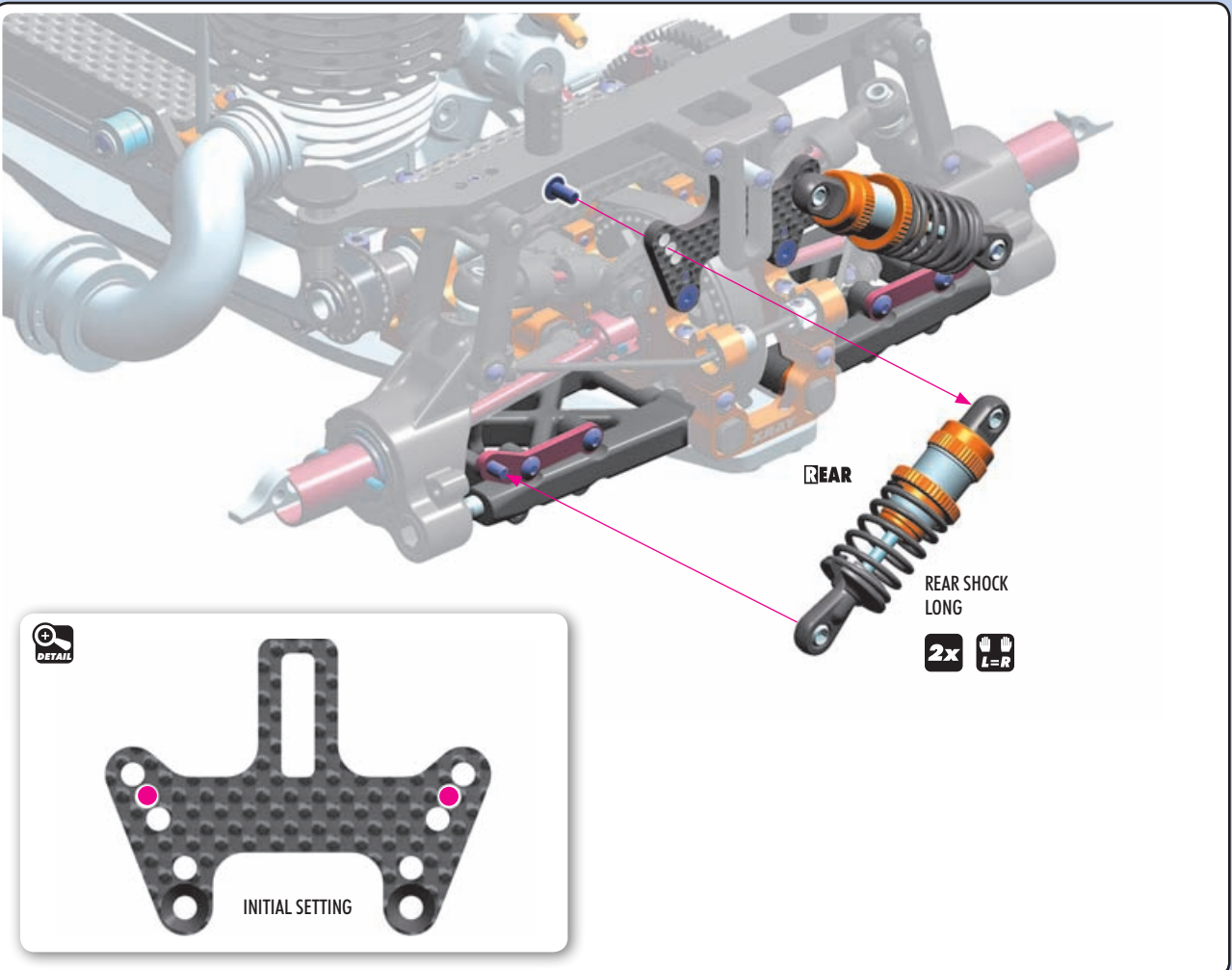
10. FINAL ASSEMBLY



902306
SH M3x6



902306
SH M3x6



10. FINAL ASSEMBLY



901303
SB M3x3



902310
SH M3x10

THREAD

NOTE ORIENTATION

Do not overtighten screws; pivots must rotate freely

Use appropriate servo arm:
K - (23T) = KO, JR, Airtronics
H - (24T) = Futaba, Rob
F - (25T) = Hitec

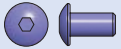
Approx. 15mm

Insert rod through hole in brake arm. Bend rod to proper shape.

IMPORTANT:
The composite holders and servo horn orientation depends on the servo type and servo position which can be mounted either from top of the radio plate or from the bottom.

HUDY ALU SERVO HORNS	
#293494	23T KO Propo, Airtronics, JR, Sanwa
#293495	24T Hitec
#293496	25T Futaba

#334061-0
ALU BRAKE POST ARM - SWISS 7075 T6 - ORANGE



902306
SH M3x6

Servo screw (NOT INCLUDED)



903305
SFH M3x5

FRONT

Aluminum Brace

FRONT CHASSIS FLEX ADJUSTMENT

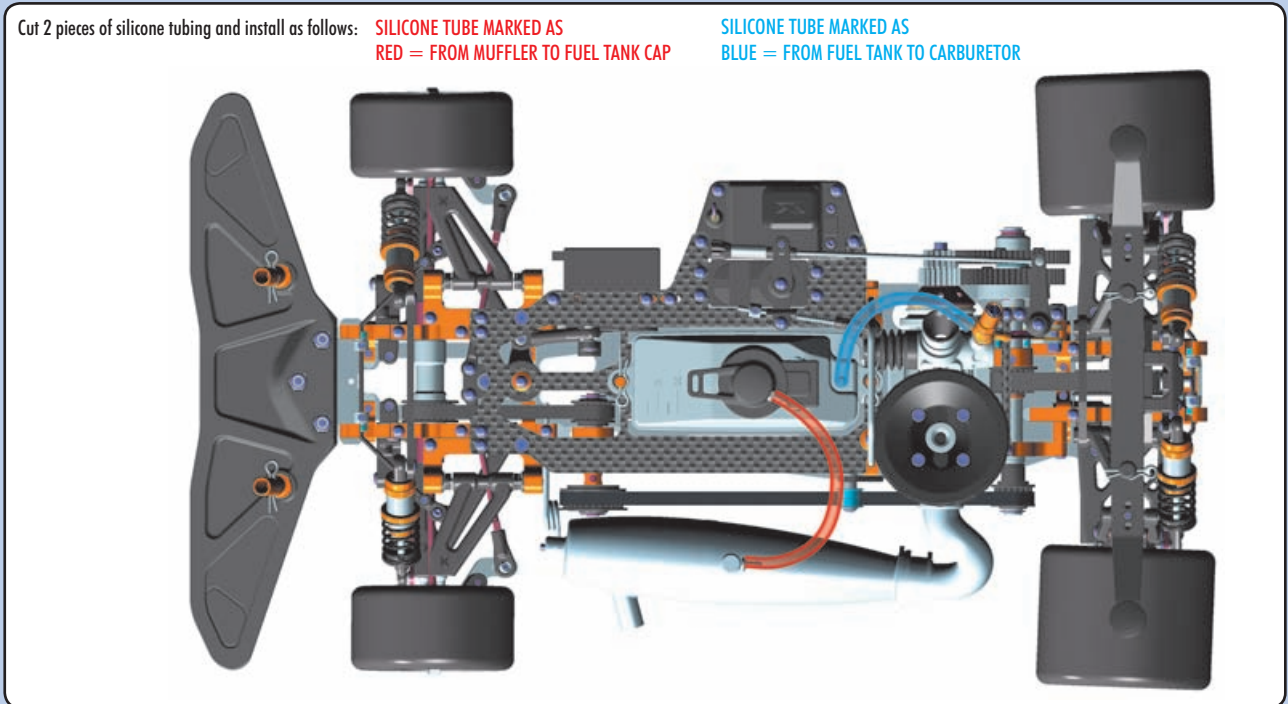
Chassis features unique and innovative front flex adjustment using an insertable aluminum brace.

<p>SOFT SETTING</p> <p>NO BRACE: The car is easier to drive and has more forward traction.</p>	<p>STIFF SETTING</p> <p>USING THE ALUMINUM BRACE: Car has increased steering response and cornering speed.</p>
--	--

Cut 2 pieces of silicone tubing and install as follows:

SILICONE TUBE MARKED AS RED = FROM MUFFLER TO FUEL TANK CAP

SILICONE TUBE MARKED AS BLUE = FROM FUEL TANK TO CARBURETOR



903305
SFH M3x5

OPTION **BRASS CHASSIS WEIGHTS (OPTIONAL)**

FRONT **REAR**

25g
3x5mm

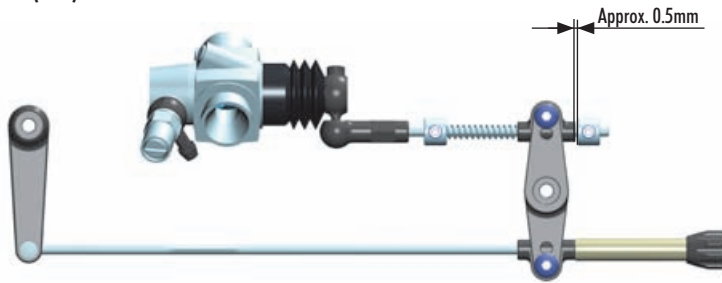
25g
3x5mm

25g
3x5mm

<p>OPTION #341187 BRASS CHASSIS WEIGHT FRONT 25g</p>	<p>OPTION #341188 BRASS CHASSIS WEIGHT MIDDLE</p>	<p>OPTION #341189 BRASS CHASSIS WEIGHT REAR 25g</p>
--	---	---

CARB LINKAGE ADJUSTMENT

NEUTRAL (IDLE)

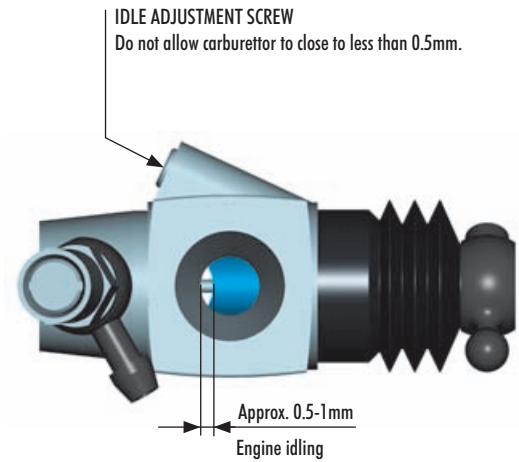


Turn on transmitter and receiver and set the throttle servo trim to the neutral position.

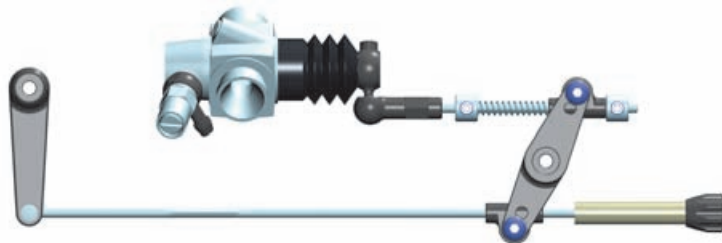
Adjust the idle adjustment screw on the carburetor to open approx. 0.5-1mm.

Adjust both collars on the carb and brake linkages accordingly. The carb linkage must have approximately 0.5mm of preload on the spring at neutral.

DO NOT ADJUST while the engine is running.



FULL THROTTLE



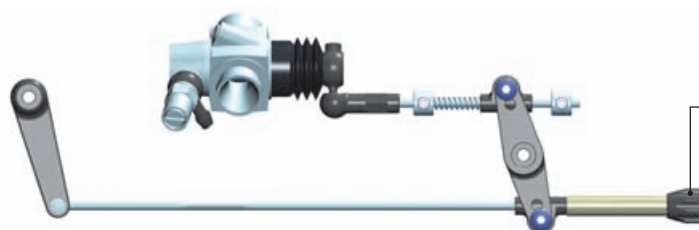
With the engine NOT RUNNING but the receiver turned ON, apply full throttle at the transmitter.

Adjust the transmitter's throttle servo high-end point so that the servo horn fully opens the carburetor when the transmitter's throttle control (e.g., throttle trigger) is at 95% of full throttle. The servo should not have excessive strain when at full throttle, or throttle/carb damage will result.

If the transmitter does not have throttle high-end point adjustment, adjust the throttle linkage pivot position on the servo horn until full throttle is obtained.

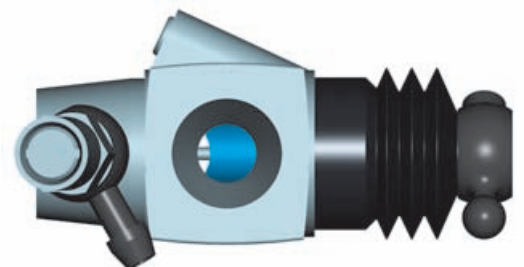


BRAKE



Adjust the composite collar on the brake linkage so the brakes work smoothly.

If the brakes apply too much or not enough, adjust the collar accordingly. If your transmitter has throttle servo low-end point adjustment (or brake adjustment), use that to set the appropriate amount of throttle servo horn throw.



SET-UP SHEET

XRAY RX8'18

RACE			
TRACK			
NAME		DATE	
CITY		COUNTRY	

TEMPERATURE / °F or °C	AIR	TRACK
------------------------	-----	-------

LAPS	BEST LAP TIME	SEC
------	---------------	-----

QUALIFYING POSITION	FINAL POSITION
---------------------	----------------

TRACKS			
TRACK CONDITION	<input type="checkbox"/> SMOOTH	<input type="checkbox"/> MEDIUM	<input type="checkbox"/> BUMPY
	<input type="checkbox"/> TECHNICAL	<input type="checkbox"/> MIXED	<input type="checkbox"/> FAST
TRACK TRACTION	<input type="checkbox"/> LOW	<input type="checkbox"/> MEDIUM	<input type="checkbox"/> HIGH

GEARING			
PINION 1st	17 <input type="checkbox"/> 18 <input type="checkbox"/> 19 <input type="checkbox"/>	SPUR 1st	57 <input type="checkbox"/> 58 <input type="checkbox"/> 59 <input type="checkbox"/> 60 <input type="checkbox"/>
2nd	22 <input type="checkbox"/> 23 <input type="checkbox"/> 24 <input type="checkbox"/> 25 <input type="checkbox"/>	2nd	53 <input type="checkbox"/> 54 <input type="checkbox"/> 55 <input type="checkbox"/>
PULLEY	28 <input type="checkbox"/> 29 <input type="checkbox"/> 30 <input type="checkbox"/>	RATIO 1st	RATIO 2nd

FRONT	SHOCKS	REAR
	SPRING	
	OIL	
	REBOUND	
<input type="checkbox"/> YES <input type="checkbox"/> NO	FOAM INSERTS	<input type="checkbox"/> YES <input type="checkbox"/> NO
PISTONS		
<input type="checkbox"/> 2 HOLES	1.0 mm	<input type="checkbox"/> 2 HOLES
<input type="checkbox"/> 3 HOLES	1.1 mm	<input type="checkbox"/> 3 HOLES
<input type="checkbox"/> OTHER	1.2 mm	<input type="checkbox"/> OTHER

ANTI-ROLL BAR	
0° <input type="checkbox"/> 30° <input type="checkbox"/> 45° <input type="checkbox"/> 60° <input type="checkbox"/> 90° <input type="checkbox"/>	BLADE STANDARD <input type="checkbox"/> 0.7 mm <input type="checkbox"/>
FRONT	REAR
mm	mm

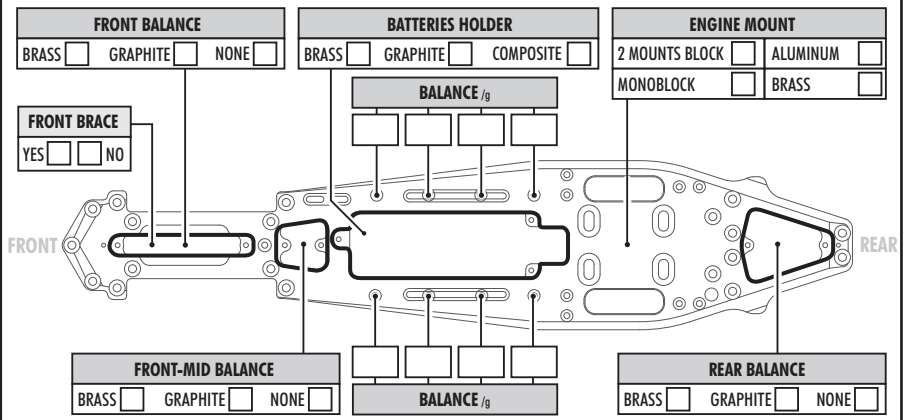
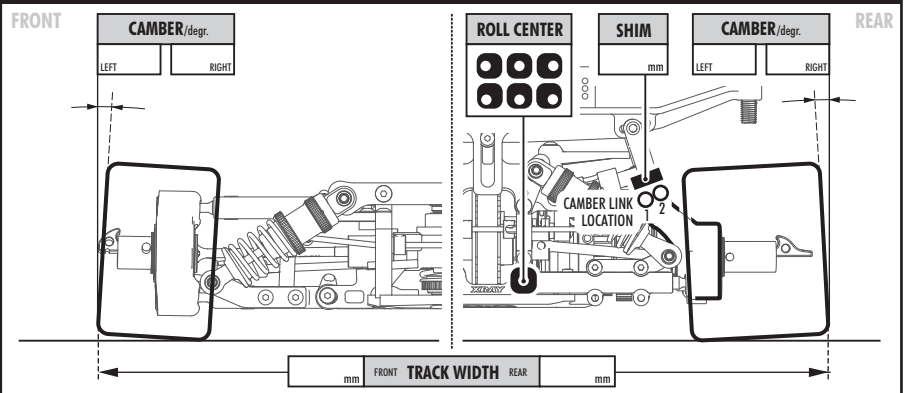
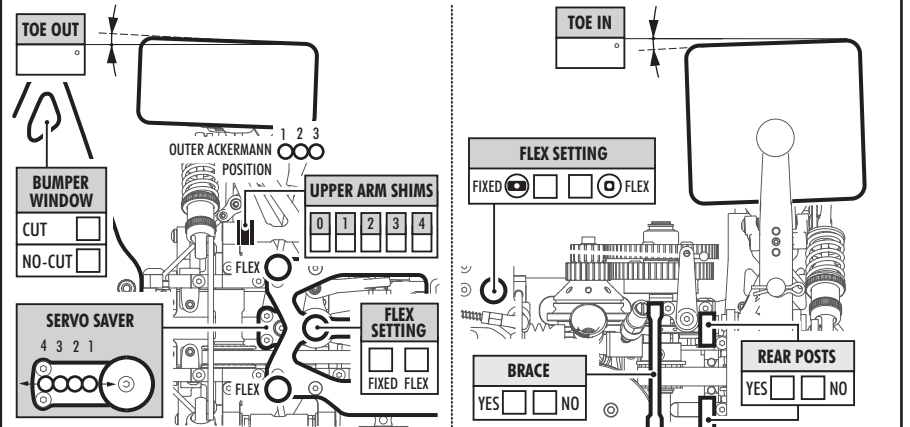
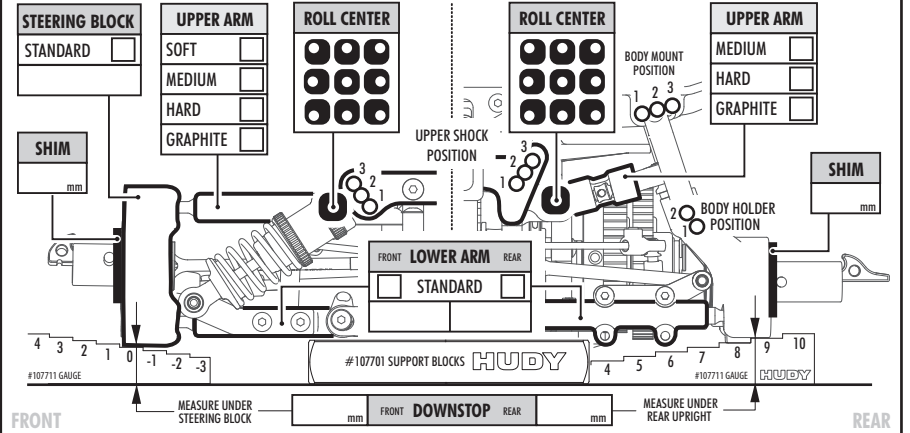
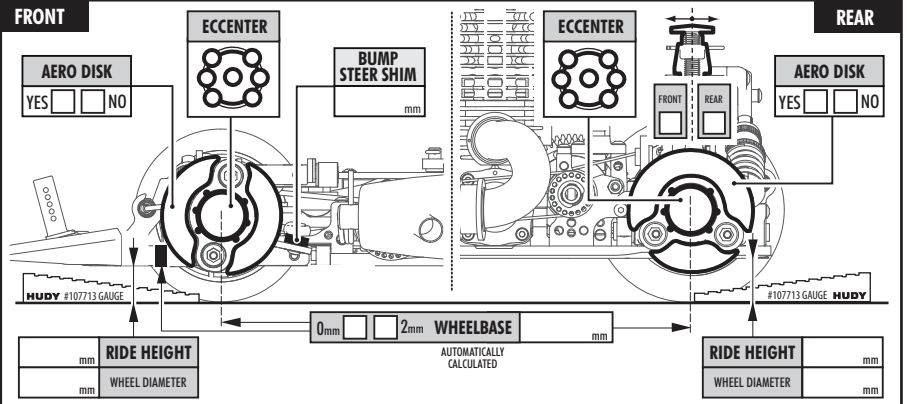
FRONT TIRES		REAR TIRES	
LEFT	RIGHT	LEFT	RIGHT
MANUFACTURER			
SHORE /degr.			
DIAMETER		DIAMETER	
5 MIN. WEAR		5 MIN. WEAR	
RUBBER TIRES			

ENGINE		
ENGINE	FUEL	
CARB. DIA /mm	HEAD CLEARANCE	PLUG
MUFFLER	MANIFOLD	

CLUTCH / BRAKE	
CLUTCH TYPE	<input type="checkbox"/> STANDARD <input type="checkbox"/> OTHER
CLUTCH BELL	<input type="checkbox"/> STANDARD <input type="checkbox"/> ALU <input type="checkbox"/> OTHER
CLUTCH SHOE	<input type="checkbox"/> STANDARD <input type="checkbox"/> OTHER
CLUTCH SPRING	<input type="checkbox"/> STANDARD <input type="checkbox"/> OTHER
CLUTCH FLY WEIGHT	<input type="checkbox"/> 3mm Set screw <input type="checkbox"/> 4mm Set screw <input type="checkbox"/> WITHOUT
CLEARANCE /mm	
SPRING PRELOAD /mm	
BRAKE PAD	<input type="checkbox"/> STANDARD <input type="checkbox"/> OTHER
BRAKE DISC	<input type="checkbox"/> STANDARD <input type="checkbox"/> OTHER

BODY	
WING	HEIGHT

COMMENTS



www.teamxray.com

XRAY EUROPE

XRAY, K VÝSTAVISKU 6992, 91101 TRENCIN, SLOVAKIA, EUROPE
PHONE: +421-32-740 11 00, FAX: +421-32-740 11 09, info@teamxray.com

XRAY USA

RC AMERICA, 2030 Century Center Blvd #15, Irving, TX 75062, USA
PHONE: 214-744-2400, FAX: 214-744-2401, xray@rcamerica.com



/TeamXray



/TeamXray



/TeamXray



/XrayRacing



/+TeamXrayRC



/XrayRacing